

# shelved<sup>®</sup>

---

Cubby Boxes

## PLEASE READ

These assembly instructions are designed as a guide to assist in the assembly of our modular system. As configurations of the range vary greatly, the instructions are generic in their approach and teach the principles of construction rather than providing layout specific, step-by-step instructions.

Instructional videos, downloadable versions of assembly instructions and FAQs can be found on our website, <https://www.shelved.co.uk/pages/assembly>.



### PLEASE NOTE:

- Shelved accepts no responsibility for any damage caused by wall fixing our furniture.
- We will not accept liability for the system being installed against walls of poor condition or the use of unsuitable fixings to suit the wall type.
- All furniture over 90cm high **MUST** be wall fixed to prevent tip-over accidents.

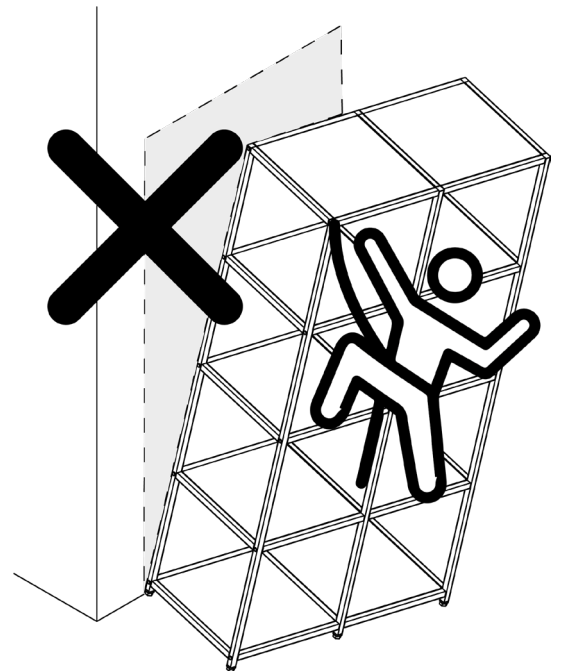
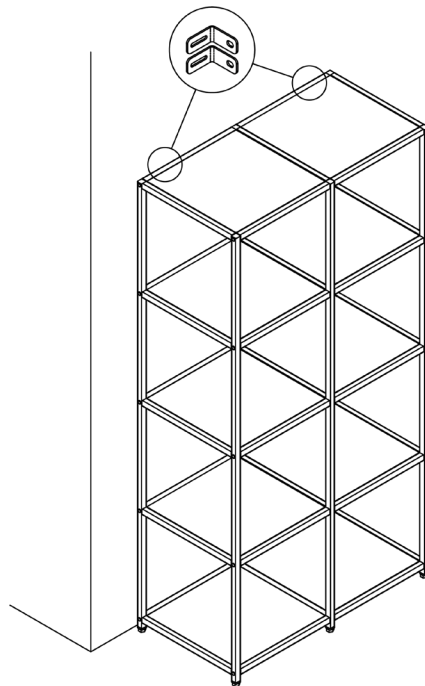
---

### Warning!



**All** furniture over 90cm tall **MUST** be securely fastened to a wall to prevent tip-over accidents.

When dressing your shelving please give consideration to the placement of heavy items to avoid accidents. Where possible position these as low as possible. Never let children (or unsupervised adults) climb or hang on furniture.



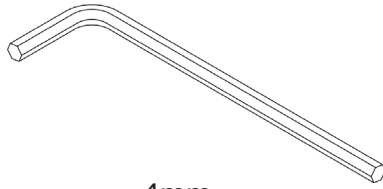
## What you will need



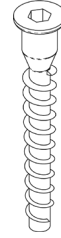
Screwdriver

## Part Identification - Hardware

See fittings kit list for quantities



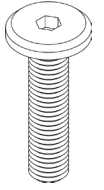
4mm  
Allen Key



50mm  
Confirmat screw



M6 Rafix  
Pin

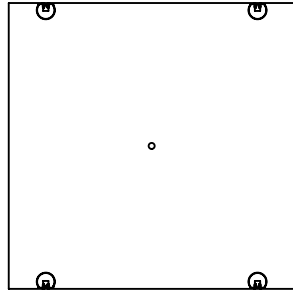


M6 x 30mm  
Connector bolt

## Part Identification

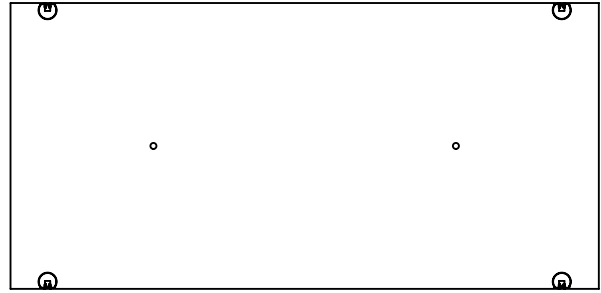
### Cubby Cover

37.8 cm



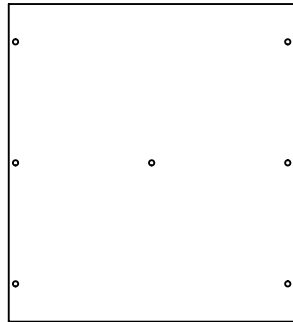
SH-CBBY-CVR-04

77.8 cm

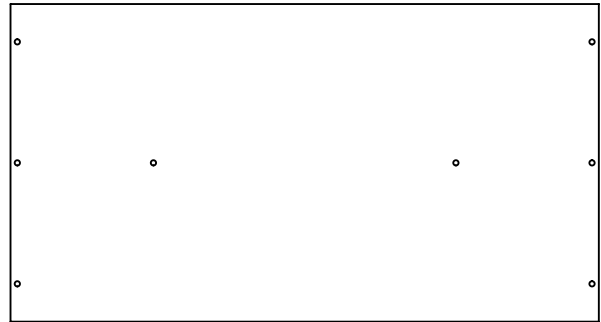


SH-CBBY-CVR-08

### Cubby Top

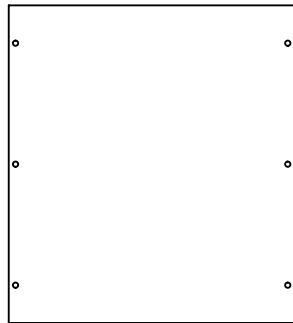


SH-CBBY-TOP-04

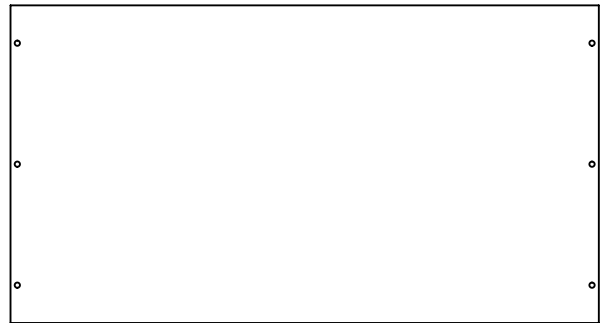


SH-CBBY-TOP-08

### Cubby Base



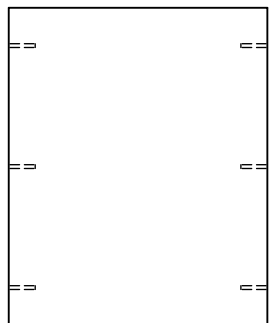
SH-CBBY-BASE-04



SH-CBBY-BASE-08

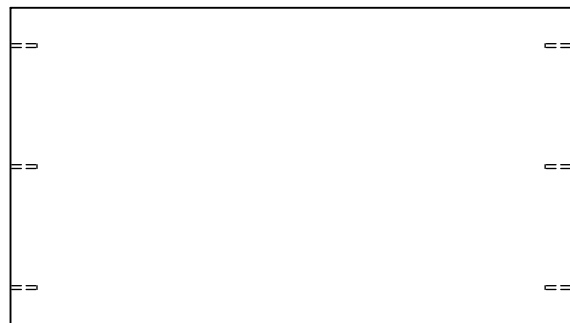
### Cubby End

34.2 cm



SH-CBBY-END-04

74.2 cm

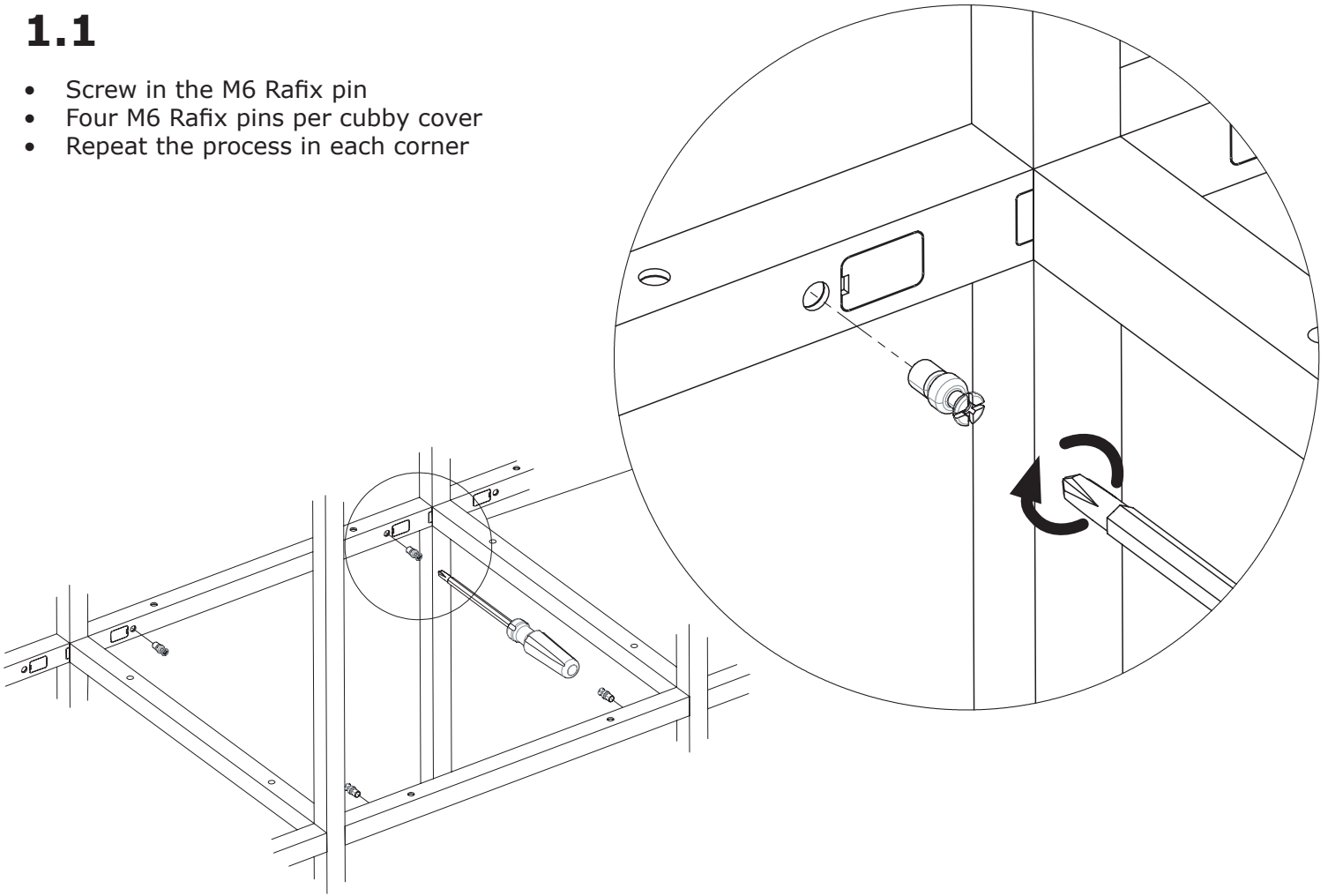


SH-CBBY-END-08

# Install the cubby cover

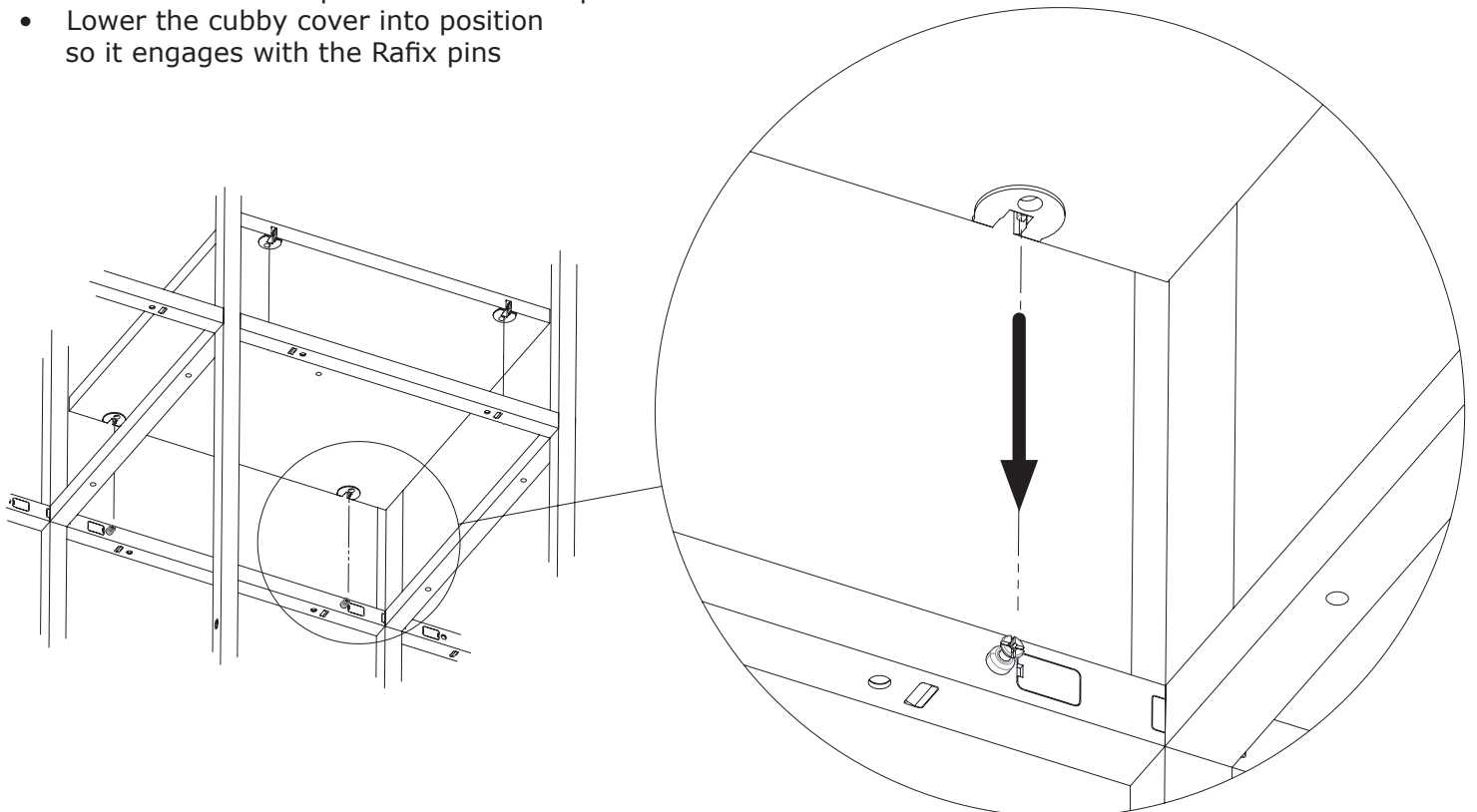
## 1.1

- Screw in the M6 Rafx pin
- Four M6 Rafx pins per cubby cover
- Repeat the process in each corner



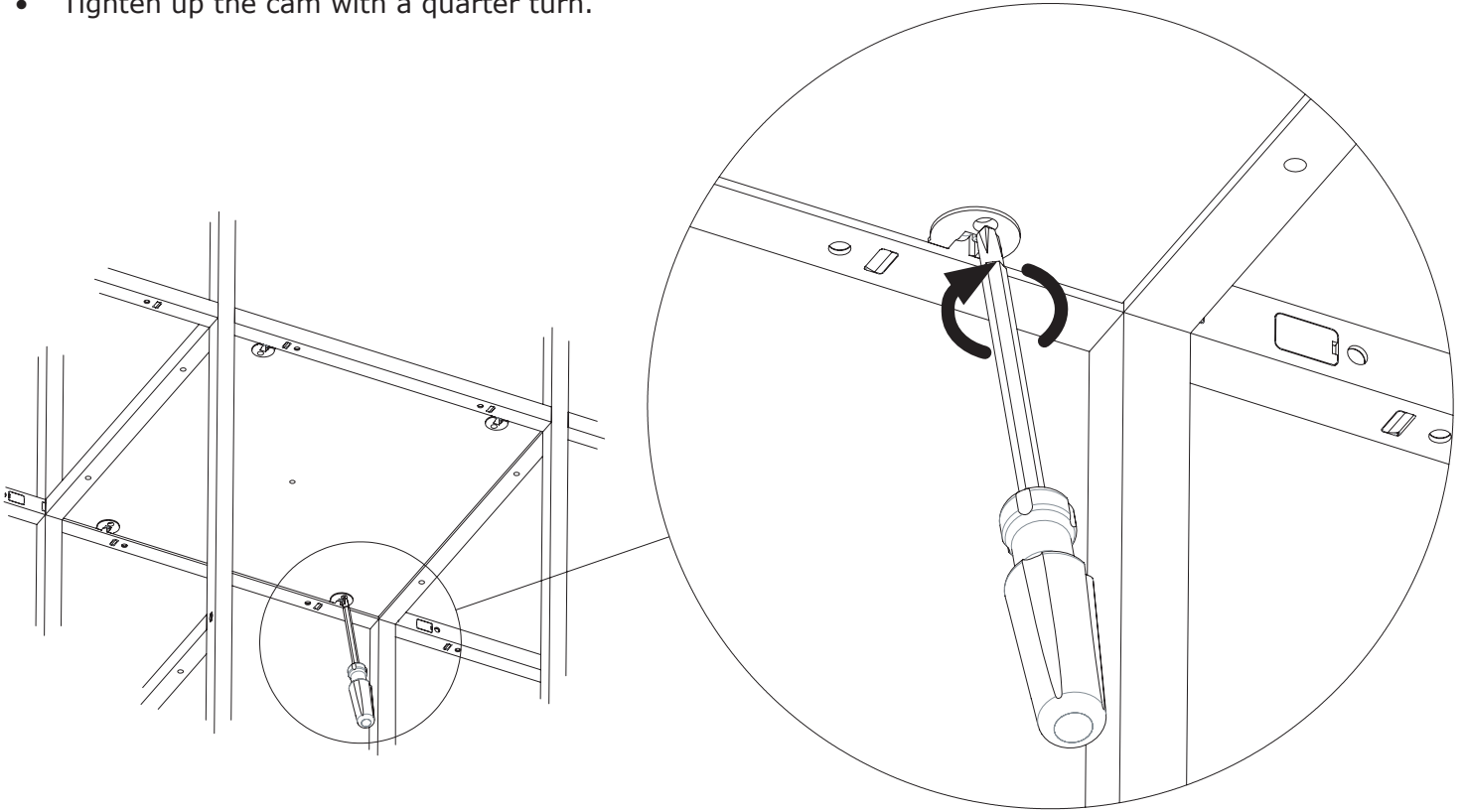
## 1.2

- Once the M6 Rafx pins are screwed in place
- Lower the cubby cover into position so it engages with the Rafx pins



## 1.3

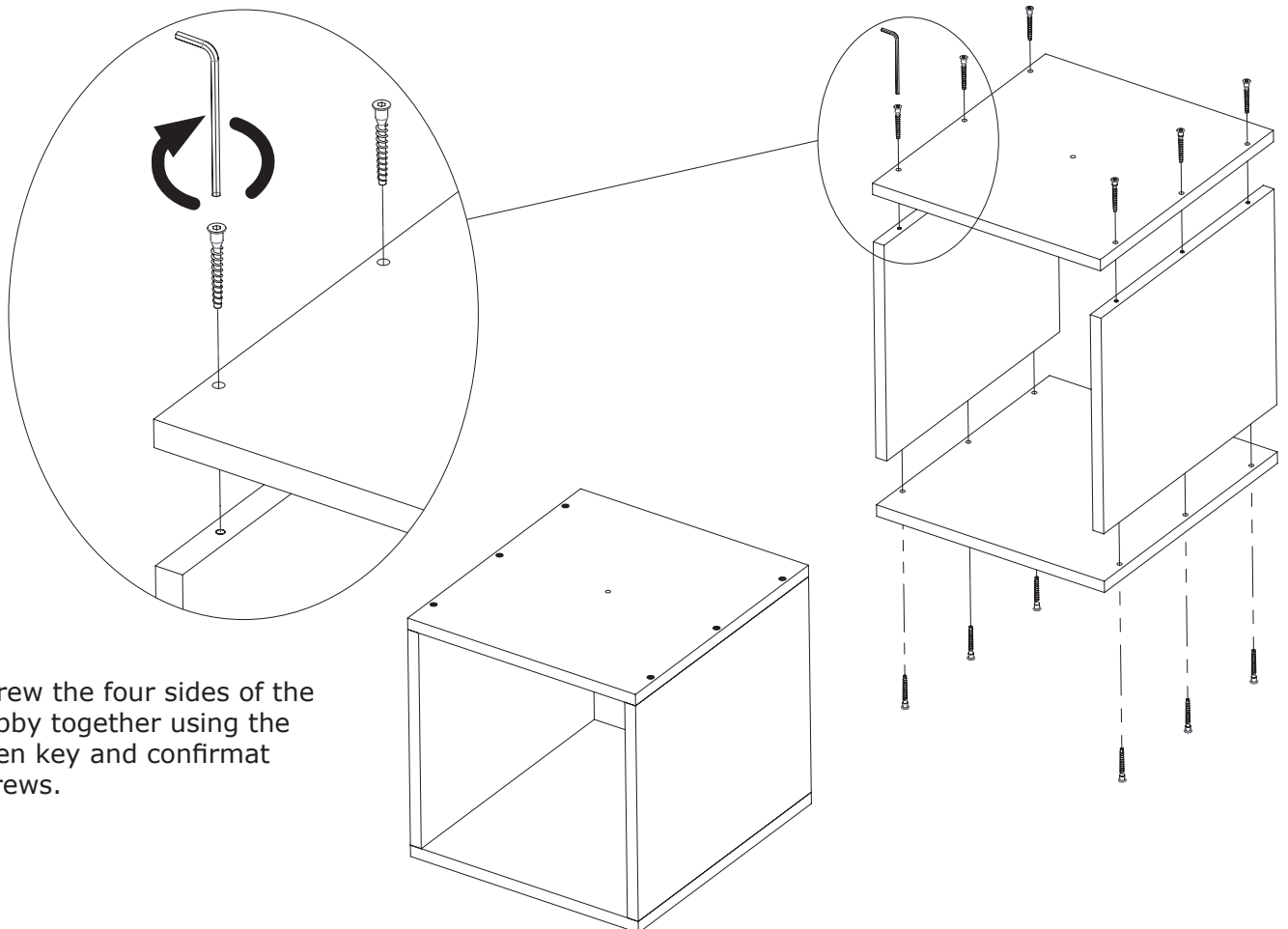
- With the cubby cover located safely over the pins
- Tighten up the cam with a quarter turn.



## Assemble the cubby

### 1.4

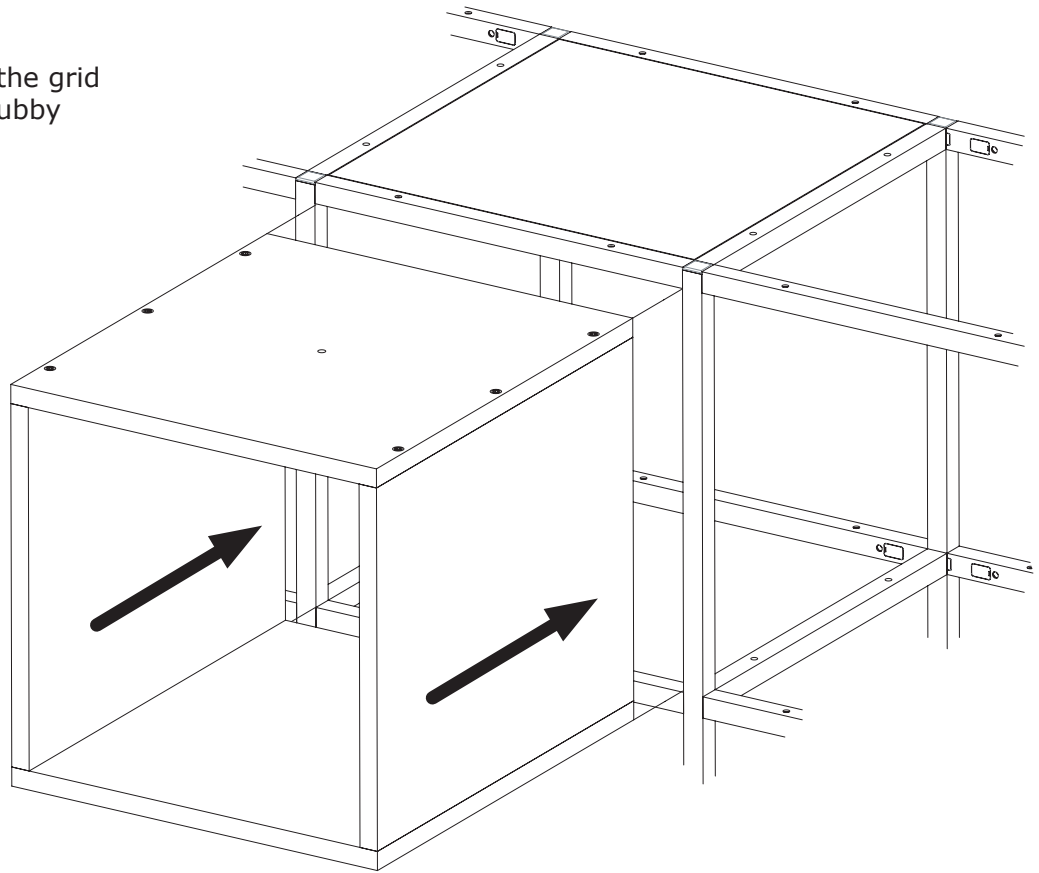
- Screw the four sides of the cubby together using the allen key and confirmat screws.



## Install the cubby

### 1.5

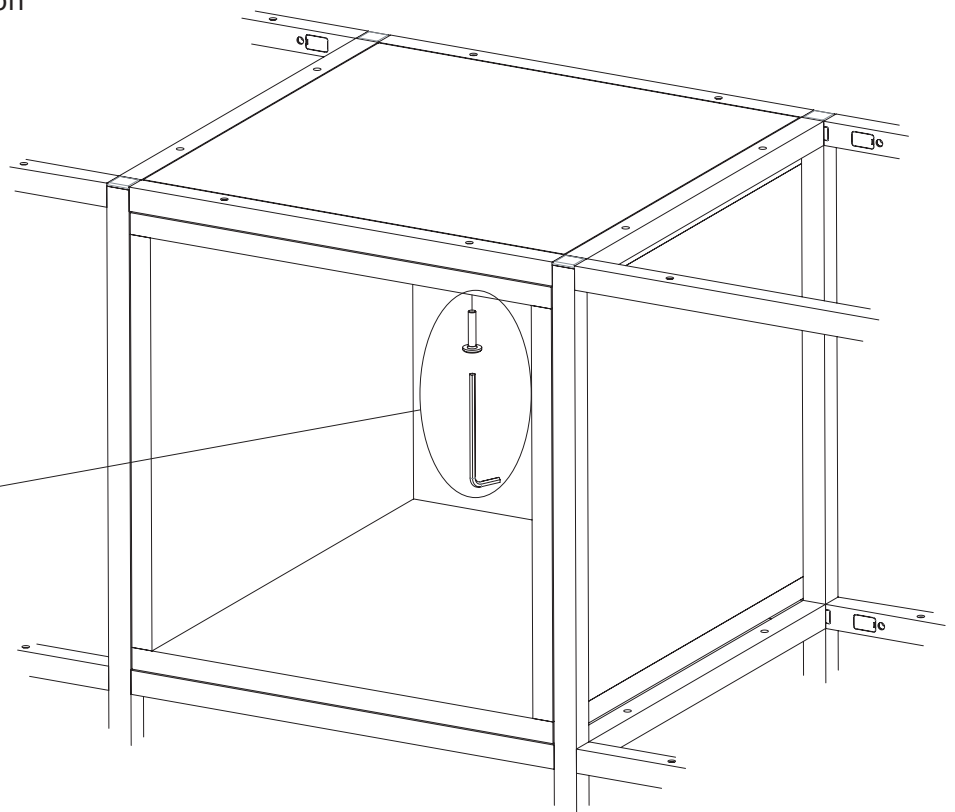
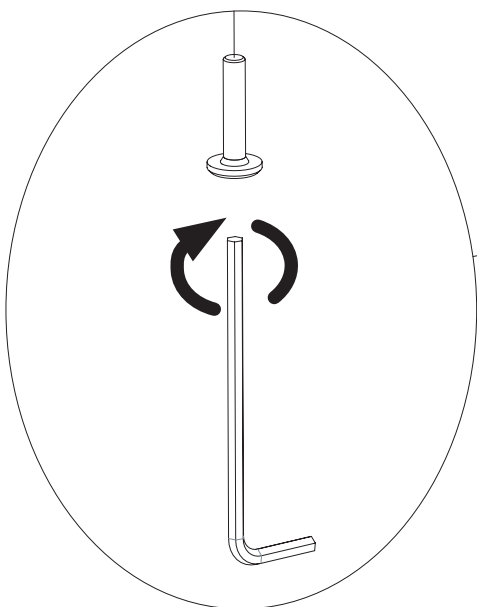
- Push the cubby into the grid below the installed cubby cover.



## Fix the cubby

### 1.6

- With the cubby in the correct position
- Using the allen key screw the M6 connector bolt in place.



# shelved<sup>®</sup>



Use the QR code to access the website directly from your mobile device.