

shelved[®]

Cupboards

PLEASE READ

These assembly instructions are designed as a guide to assist in the assembly of our modular system. As configurations of the range vary greatly, the instructions are generic in their approach and teach the principles of construction rather than providing layout specific, step-by-step instructions.

Instructional videos, downloadable versions of assembly instructions and FAQs can be found on our website, <https://www.shelved.co.uk/pages/assembly>.



PLEASE NOTE:

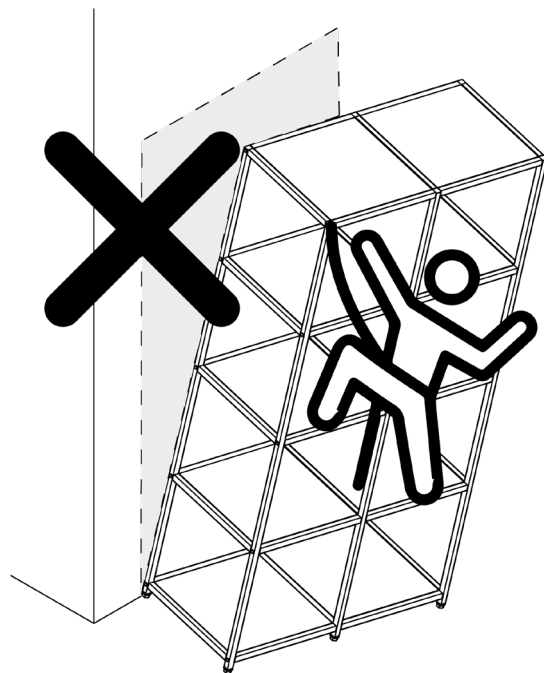
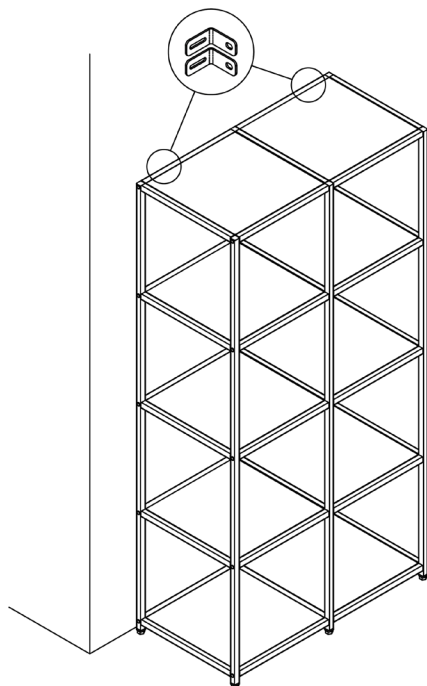
- Shelved accepts no responsibility for any damage caused by wall fixing our furniture.
- We will not accept liability for the system being installed against walls of poor condition or the use of unsuitable fixings to suit the wall type.
- All furniture over 90cm high **MUST** be wall fixed to prevent tip-over accidents.

Warning!

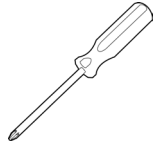


All furniture over 90cm tall **MUST** be securely fastened to a wall to prevent tip-over accidents.

When dressing your shelving please give consideration to the placement of heavy items to avoid accidents. Where possible position these as low as possible. Never let children (or unsupervised adults) climb or hang on furniture.



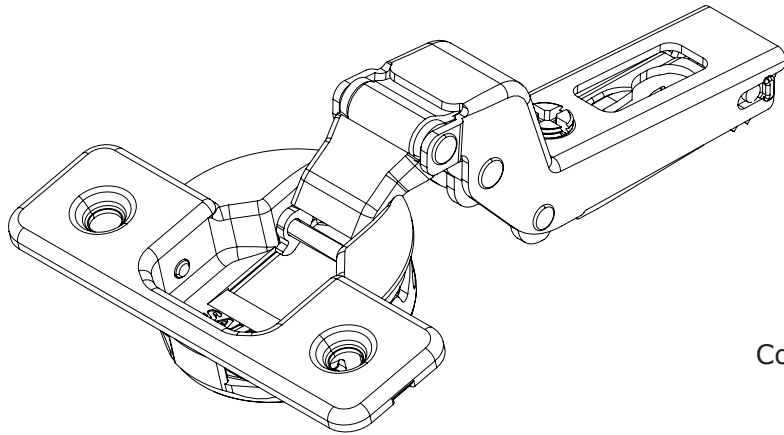
What you will need



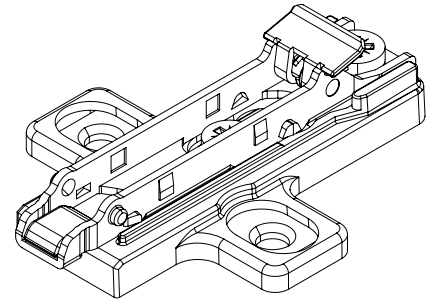
Screwdriver

Part Identification - Hardware

See fittings kit list for quantities



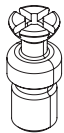
Hinge



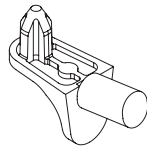
Hinge plate



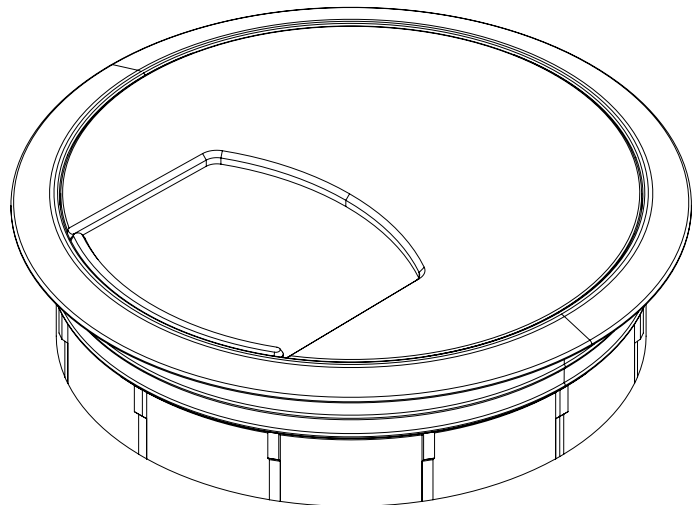
Countersink screw



M6 Rafix Pin

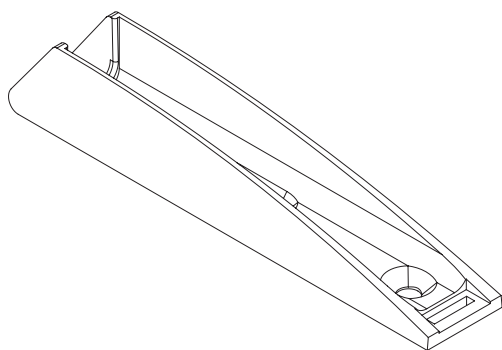


Shelf Support

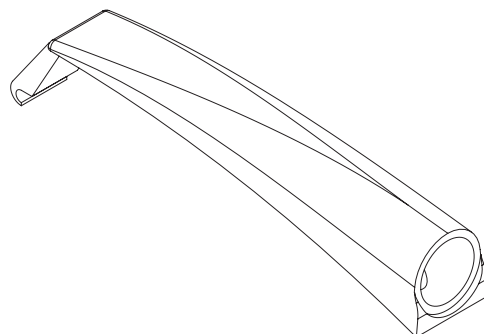


Cable Port

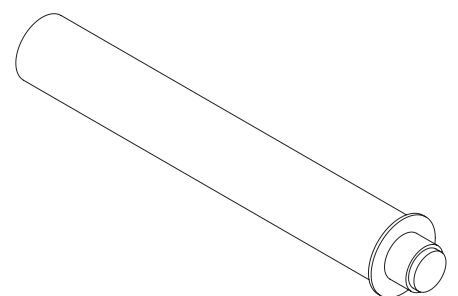
Push release catch



Base



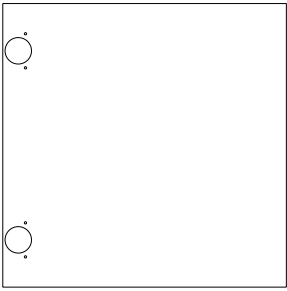
Cover



Barrel

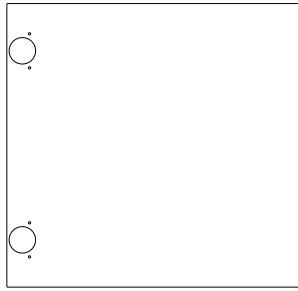
Part Identification

37.5 cm



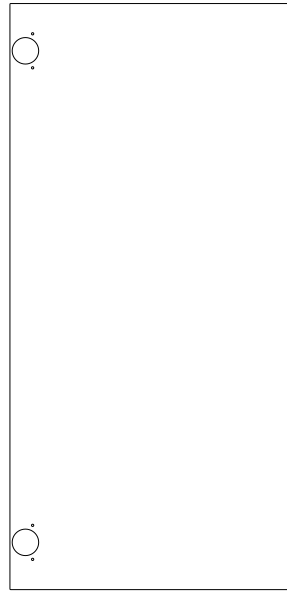
Cupboard Door
Single
SH-CUP-DOOR-44S

38.6 cm



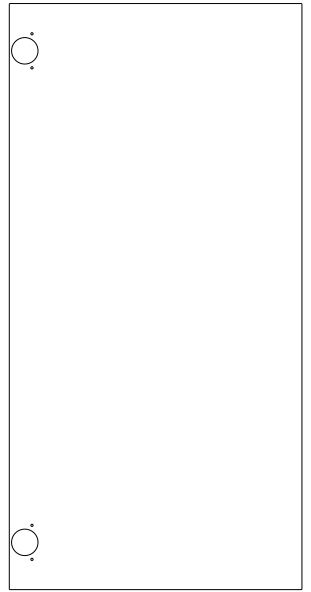
Cupboard Door
Double
SH-CUP-DOOR-44D

37.5 cm

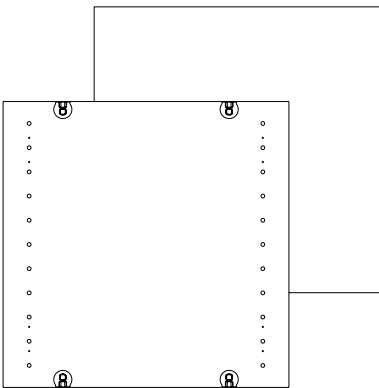


Cupboard Door
Single
SH-CUP-DOOR-48S

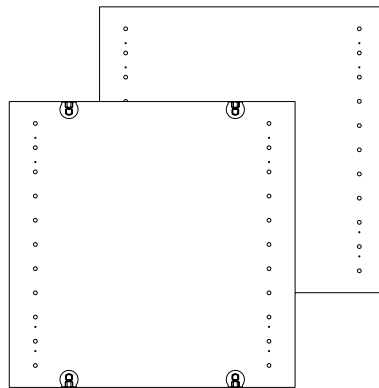
38.6 cm



Cupboard Door
Double
SH-CUP-DOOR-48D



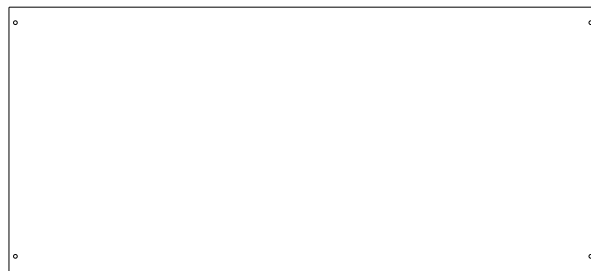
Cupboard Side - End
SH-CUP-SIDE-END



Cupboard Side - Inter
SH-CUP-SIDE-INT

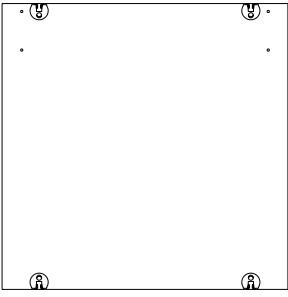


Cupboard Shelf 400
SH-CUP-SHLF-44

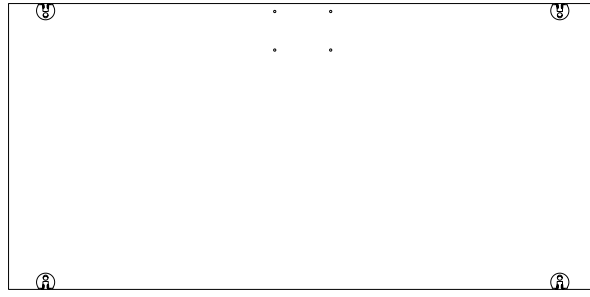


Cupboard Shelf 800
SH-CUP-SHLF-84

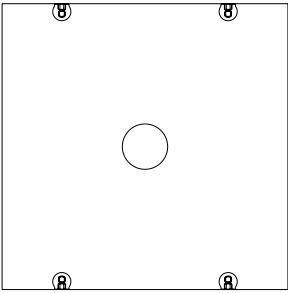
Part Identification



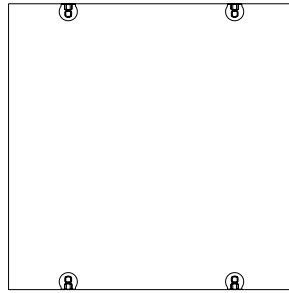
Shelf 400
SH-SHLF-44



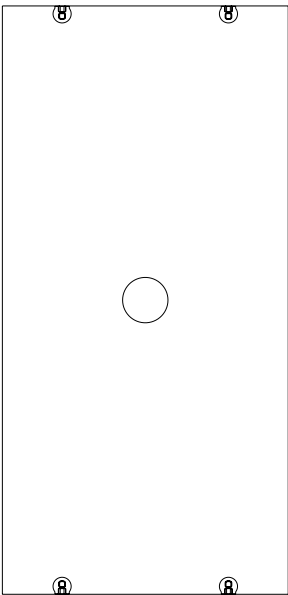
Shelf 800
SH-SHLF-84



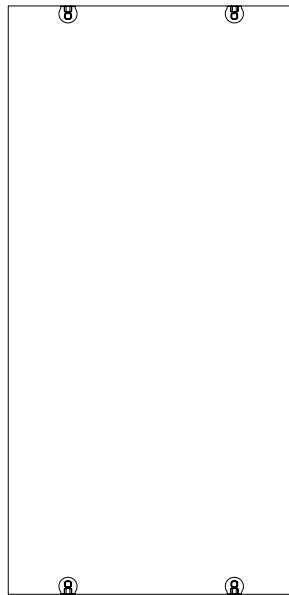
Divider Cable Managed
SH-DIV-44-CM



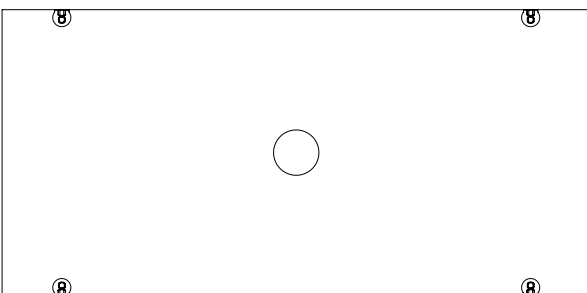
Divider
SH-DIV-44



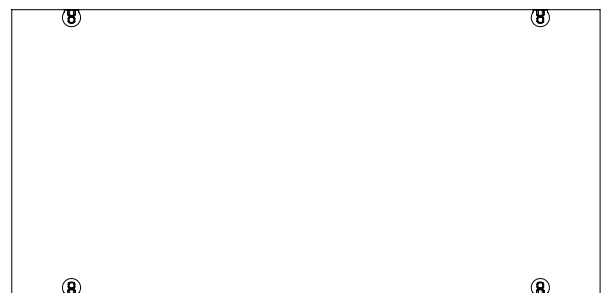
Divider Cable Managed
SH-DIV-48-CM



Divider
SH-DIV-48

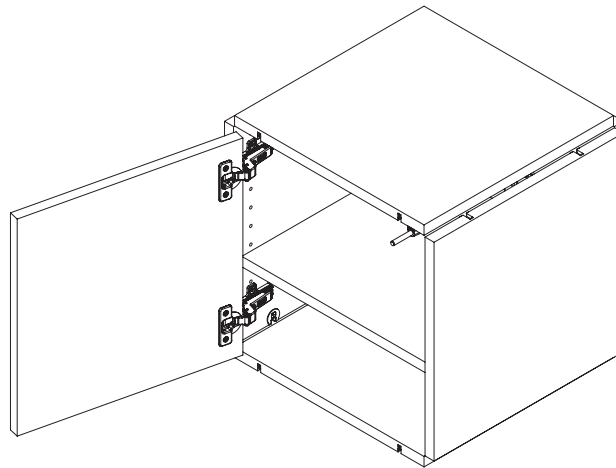


Divider Cable Managed
SH-DIV-84-CM



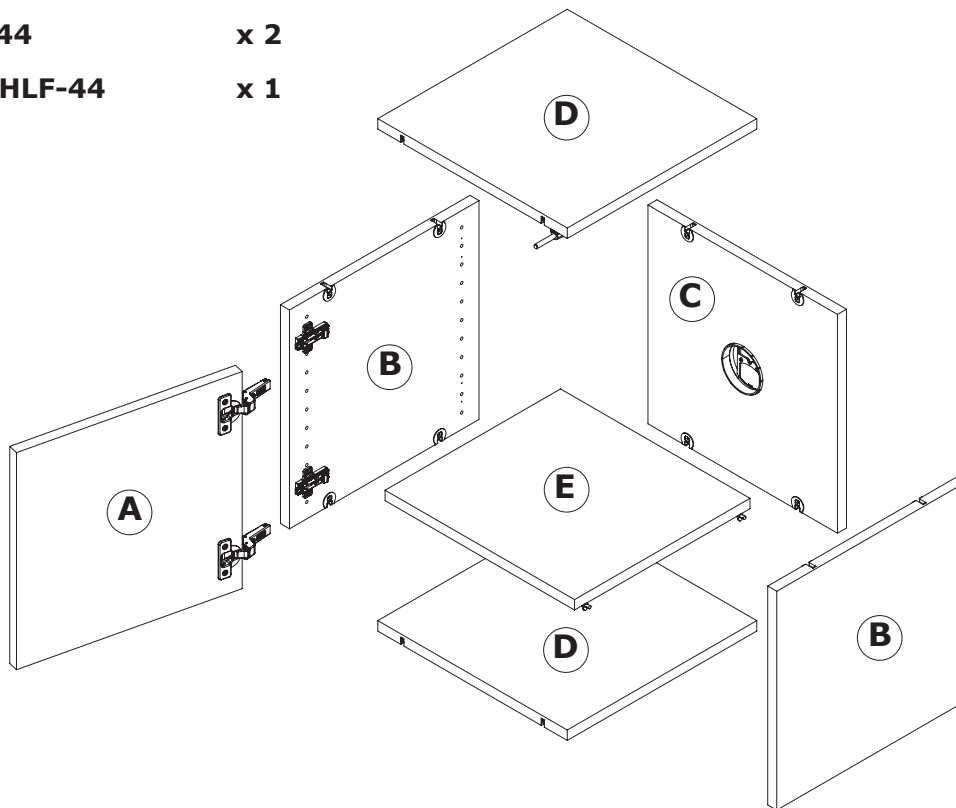
Divider
SH-DIV-84

Part Identification 400 x 400 Cupboard



The cupboard door can be hinged on either the left or right hand side.

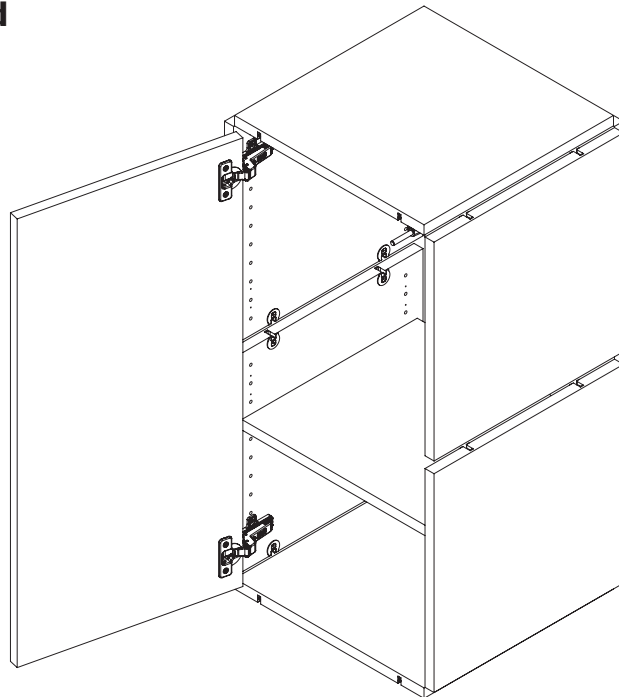
- | | | |
|----------|------------------------|------------|
| A | SH-CUP-DOOR-44S | x 1 |
| B | SH-CUP-SIDE-END | x 2 |
| C | SH-DIV-44-CM | x 1 |
| D | SH-SHLF-44 | x 2 |
| E | SH-CUP-SHLF-44 | x 1 |



All cupboards come with the following as standard:

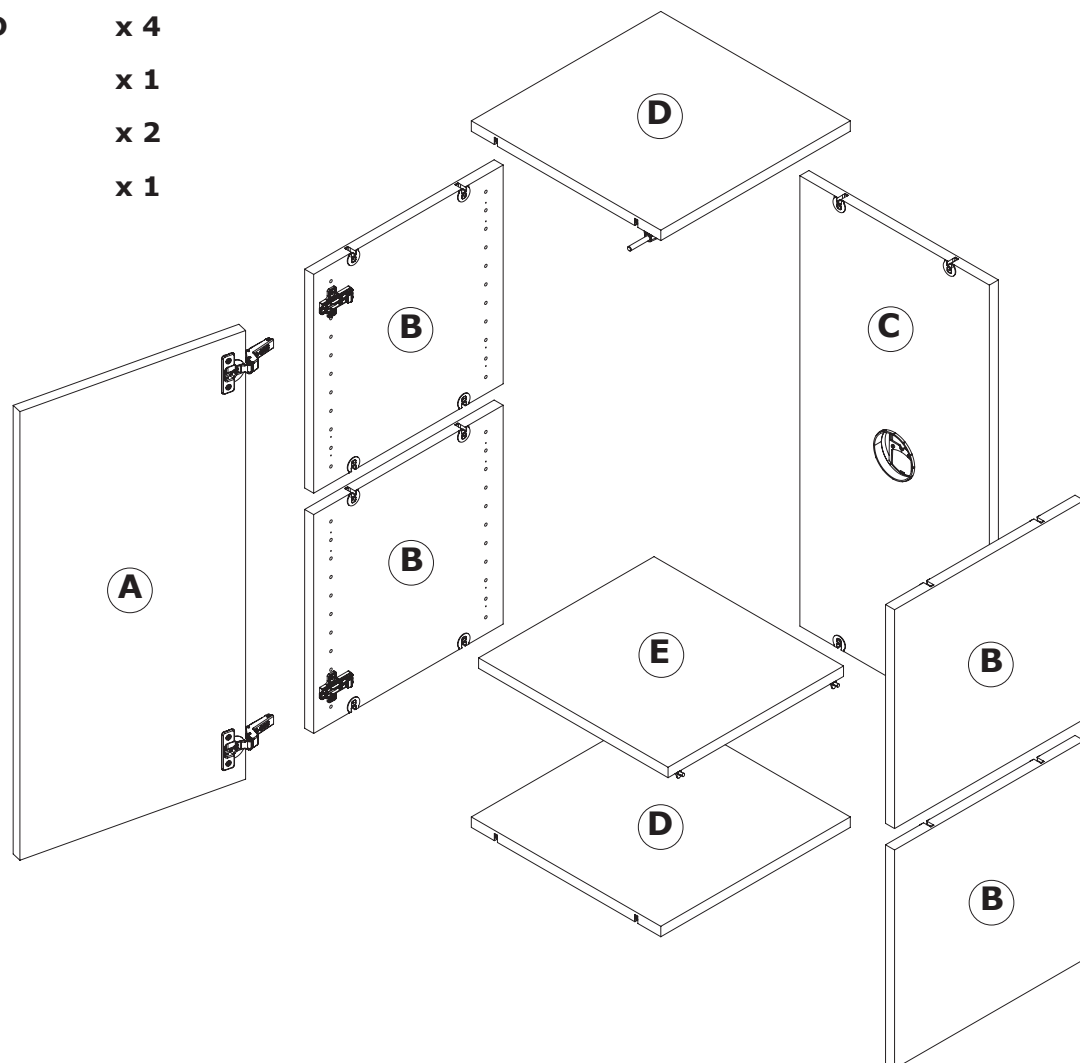
- An adjustable shelf
- Cable managed divider panel with cable port
- All hardware including hinges, screws, pins, shelf supports, push release catch & cable port.

Part Identification 400 x 800 Cupboard



The cupboard door can be hinged on either the left or right hand side.

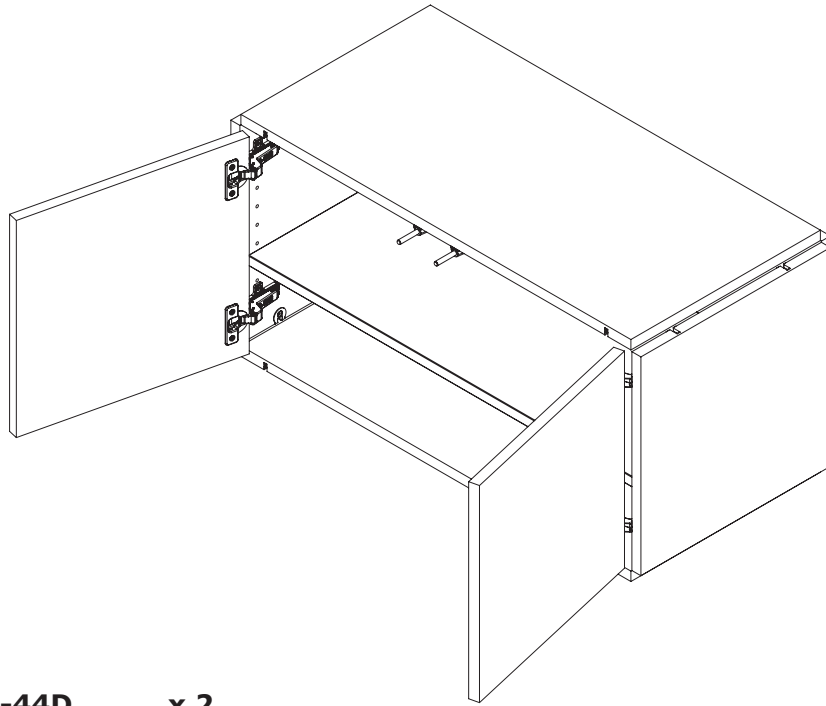
- | | | |
|----------|------------------------|------------|
| A | SH-CUP-DOOR-48S | x 1 |
| B | SH-CUP-SIDE-END | x 4 |
| C | SH-DIV-48-CM | x 1 |
| D | SH-SHLF-44 | x 2 |
| E | SH-CUP-SHLF-44 | x 1 |



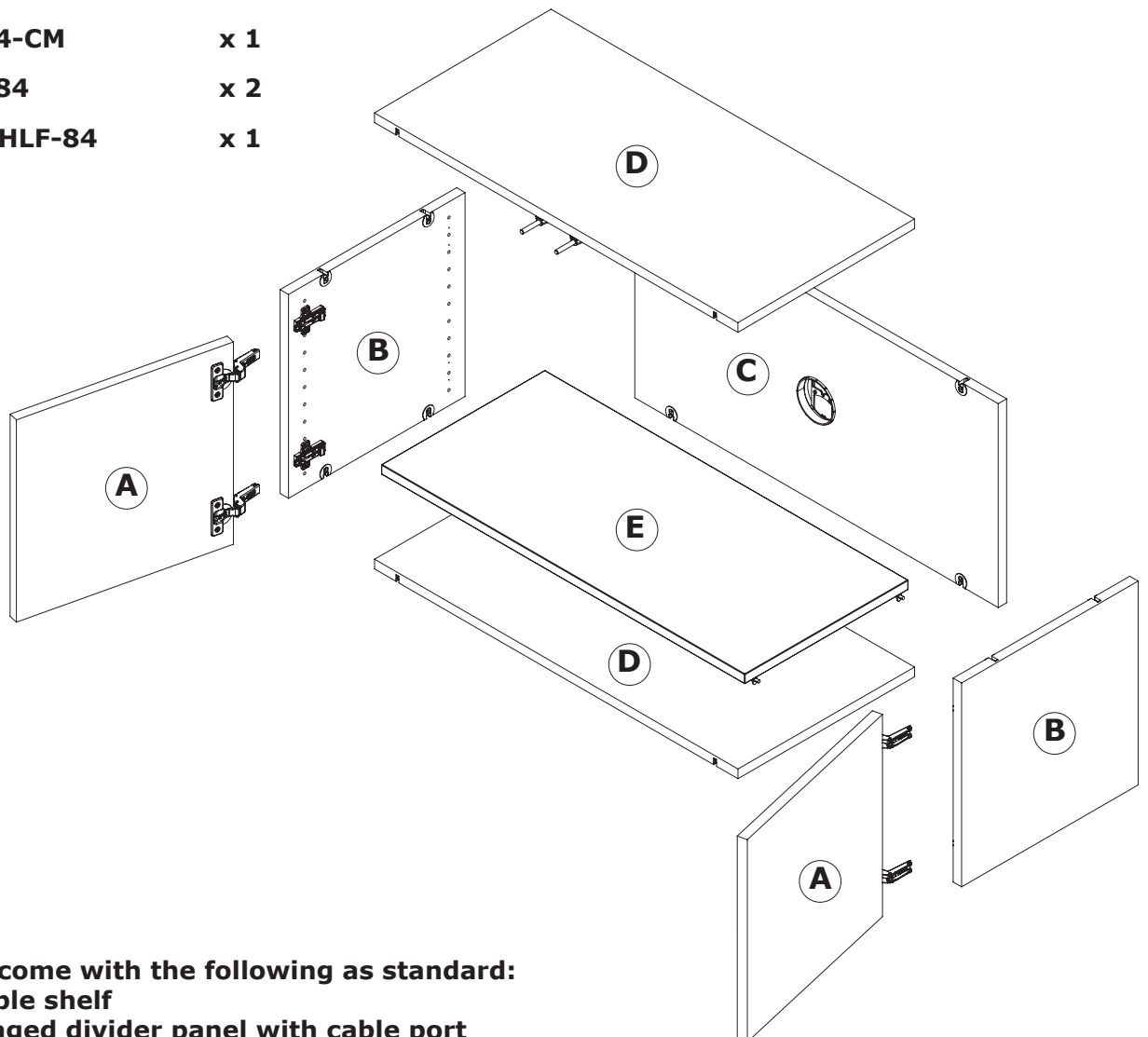
All cupboards come with the following as standard:

- **An adjustable shelf**
- **Cable managed divider panel with cable port**
- **All hardware including hinges, screws, pins, shelf supports, push release catch & cable port.**

Part Identification 800 x 400 Cupboard



- A** SH-CUP-DOOR-44D x 2
- B** SH-CUP-SIDE-END x 2
- C** SH-DIV-84-CM x 1
- D** SH-SHLF-84 x 2
- E** SH-CUP-SHLF-84 x 1

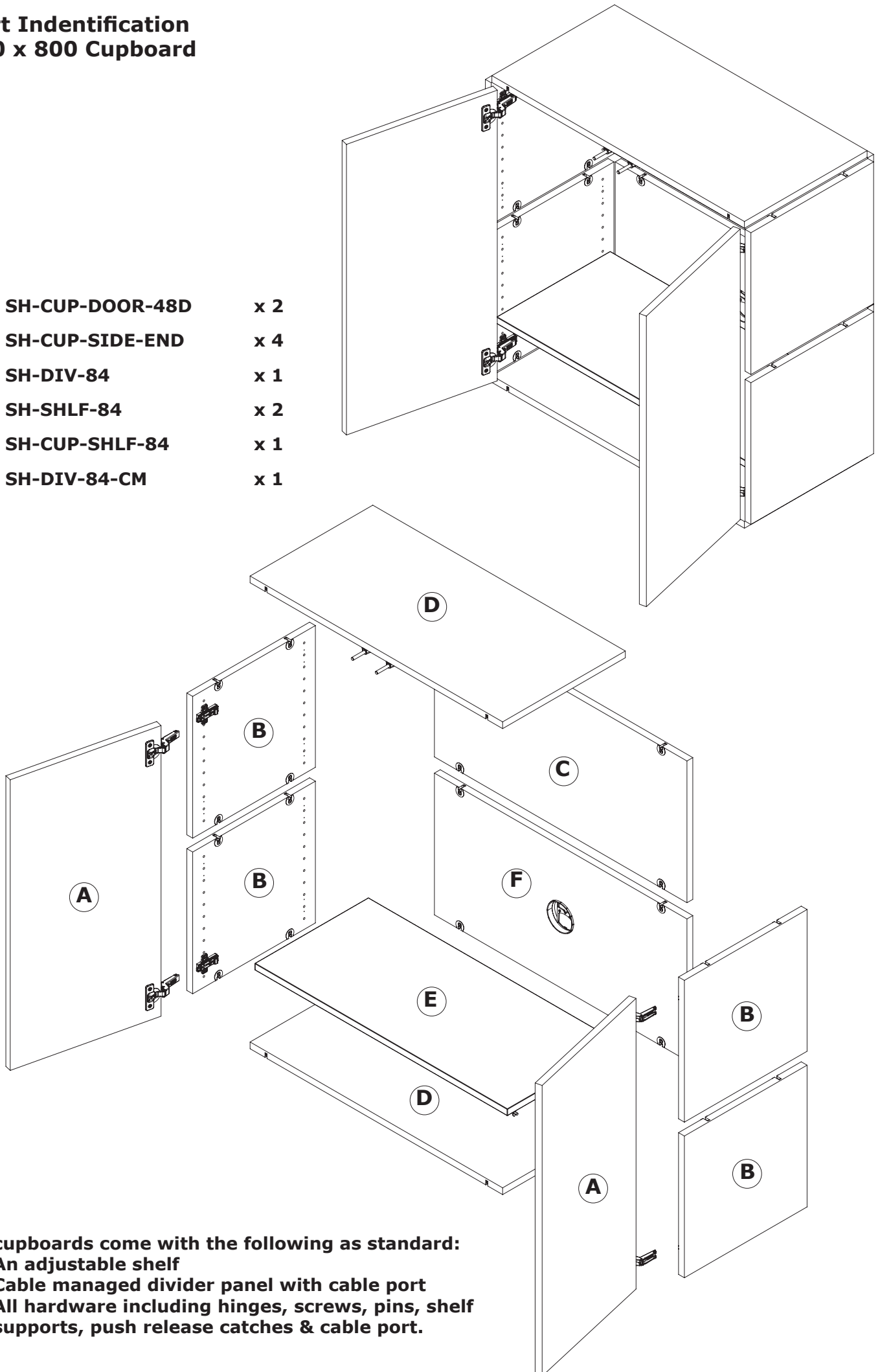


All cupboards come with the following as standard:

- An adjustable shelf
- Cable managed divider panel with cable port
- All hardware including hinges, screws, pins, shelf supports, push release catches & cable port.

Part Identification 800 x 800 Cupboard

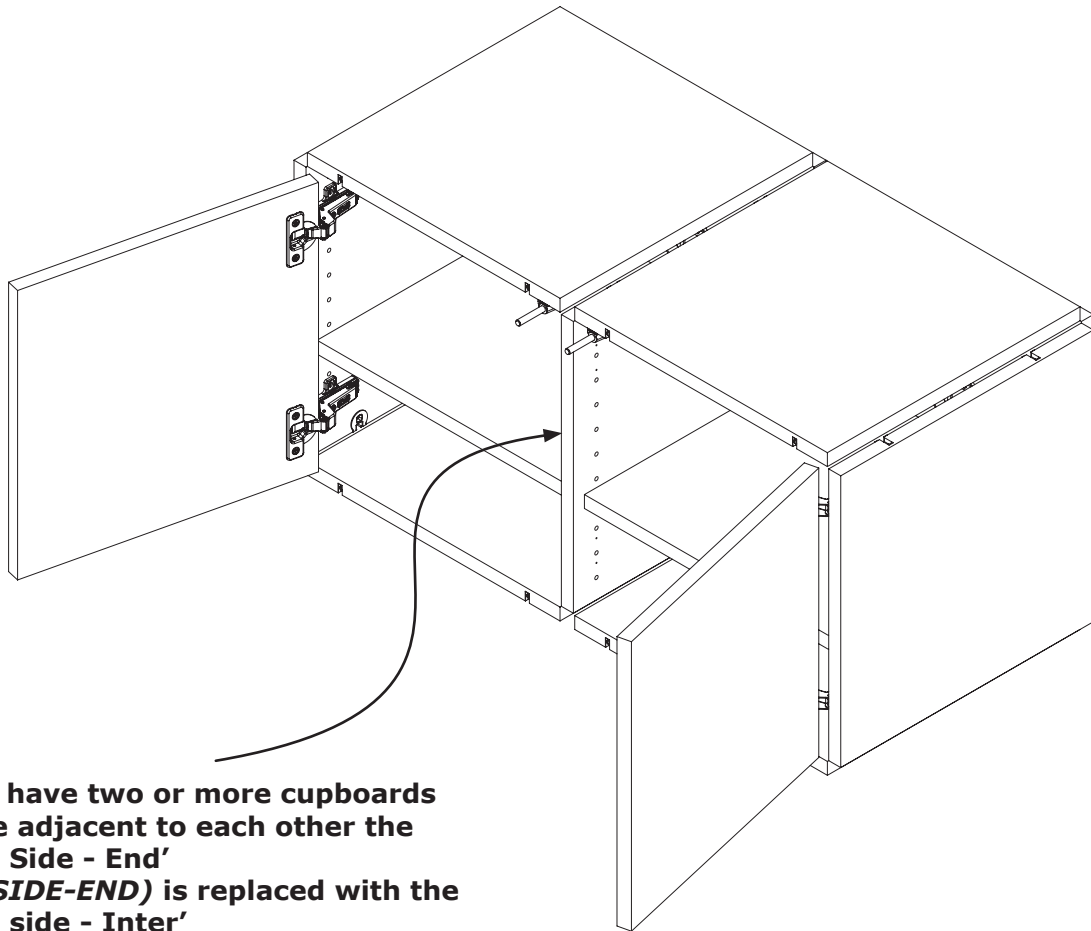
A	SH-CUP-DOOR-48D	x 2
B	SH-CUP-SIDE-END	x 4
C	SH-DIV-84	x 1
D	SH-SHLF-84	x 2
E	SH-CUP-SHLF-84	x 1
F	SH-DIV-84-CM	x 1



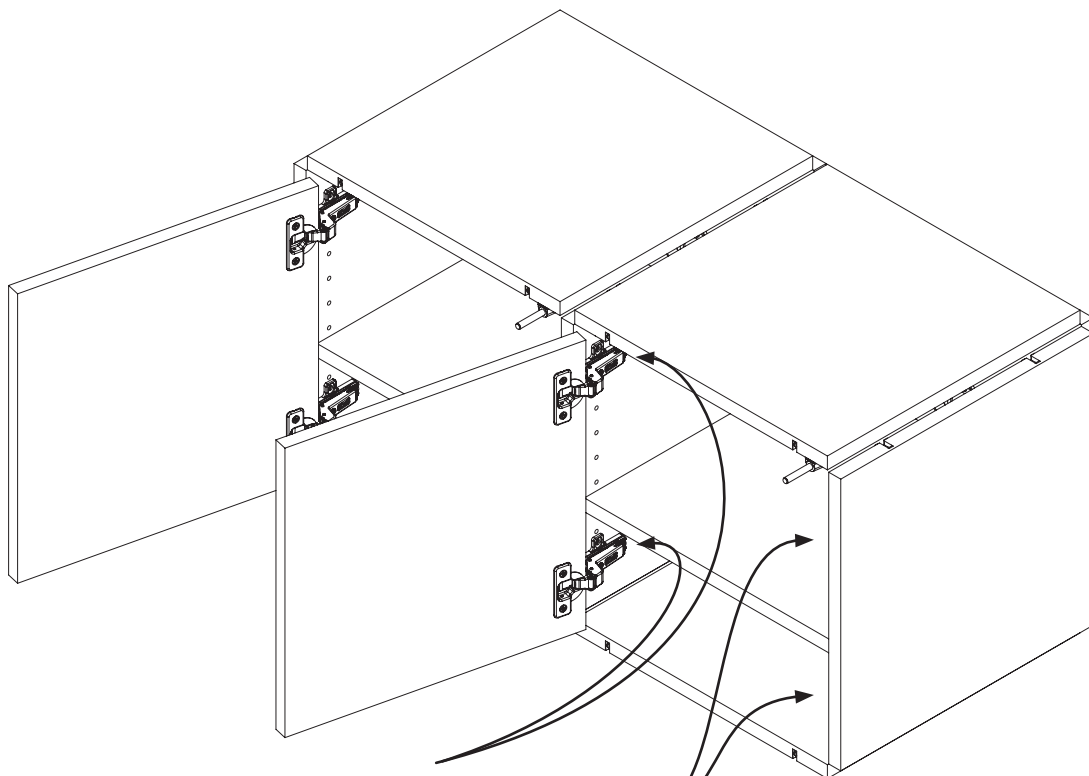
All cupboards come with the following as standard:

- An adjustable shelf
- Cable managed divider panel with cable port
- All hardware including hinges, screws, pins, shelf supports, push release catches & cable port.

Adjacent cupboards Example



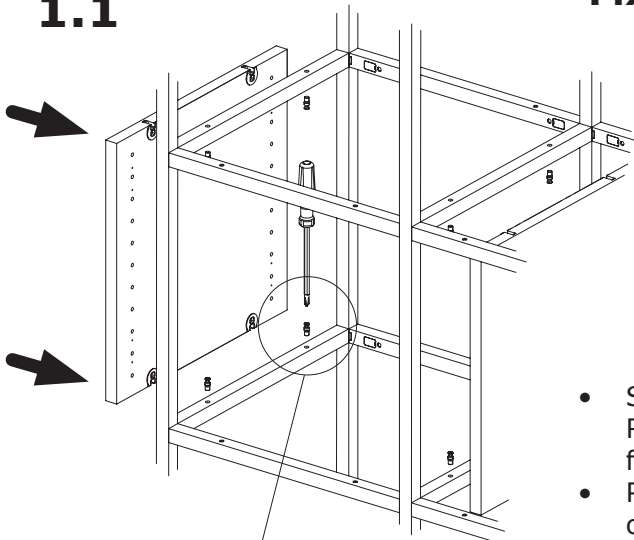
When you have two or more cupboards of any size adjacent to each other the 'Cupboard Side - End' (*SH-CUP-SIDE-END*) is replaced with the 'Cupboard side - Inter' (*SH-CUP-SIDE-INT*)



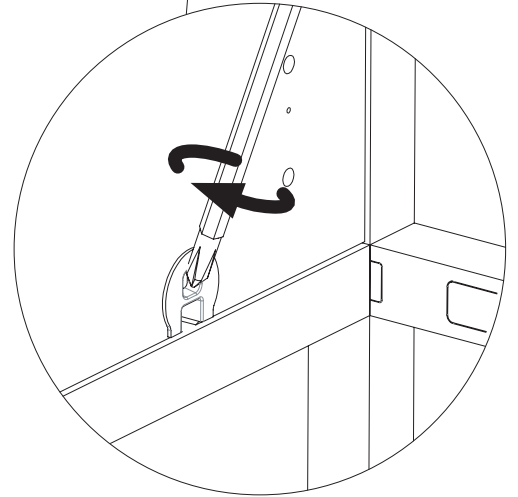
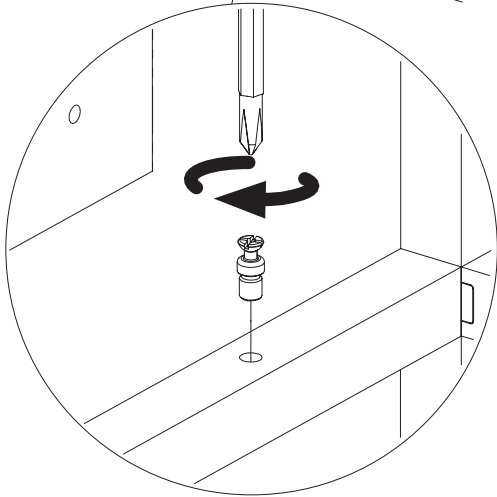
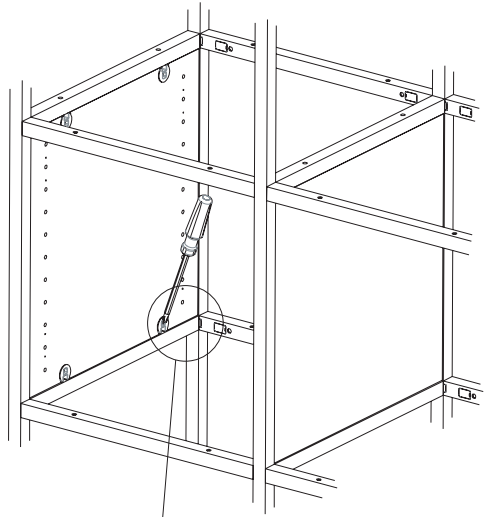
The cupboard door can be hinged on either the left or right hand side.

1.1

Fix the side panels

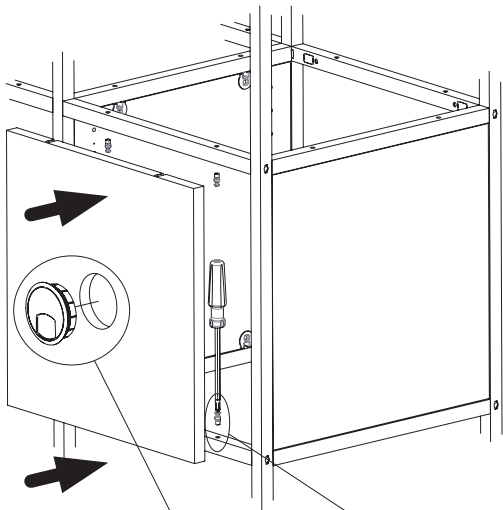


- Screw eight of the Rafix pins into the frame.
- Push the side panels on from the outside so they locate onto the Rafix pins.
- Secure the side panels in position with a quarter turn using a screwdriver.

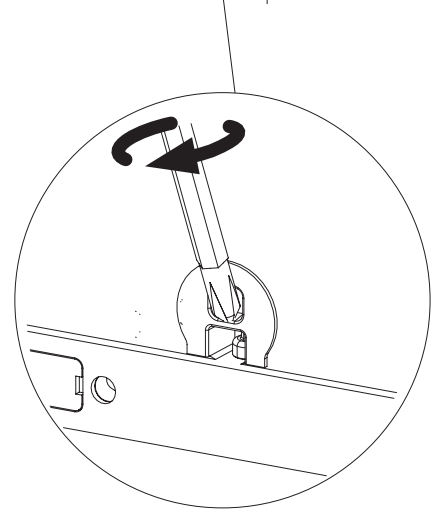
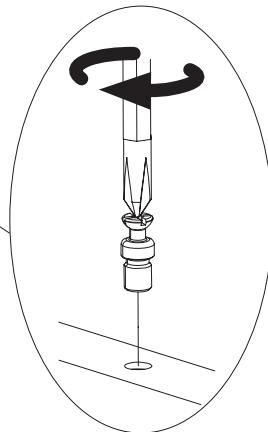
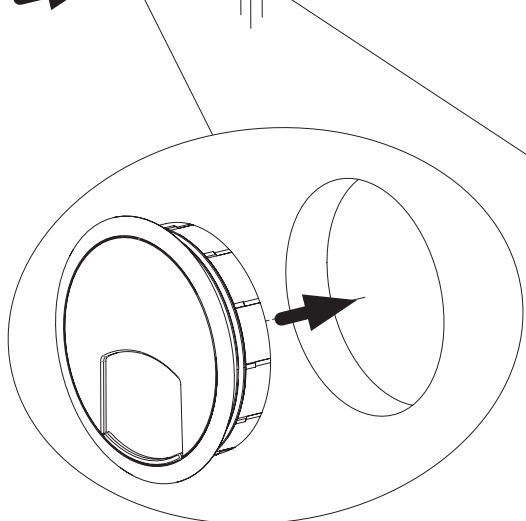
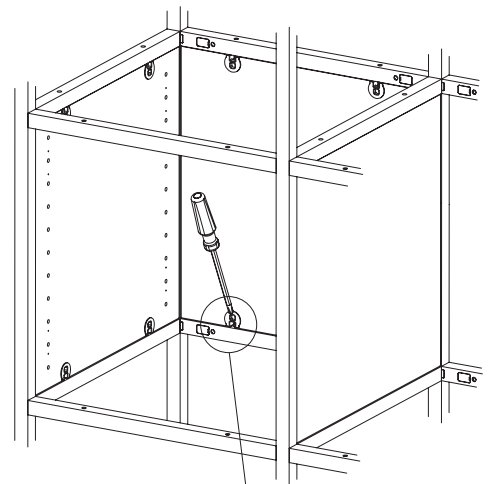


1.2

Fix the divider panel



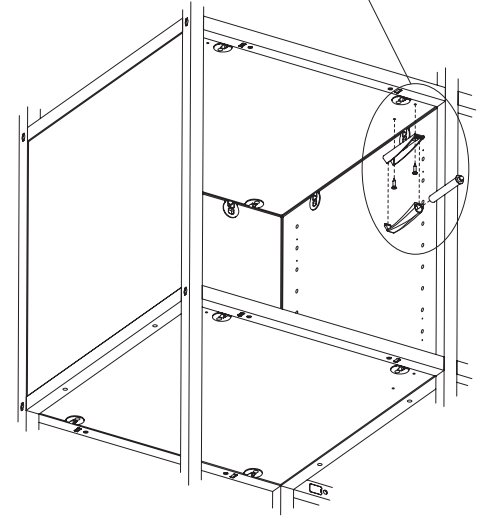
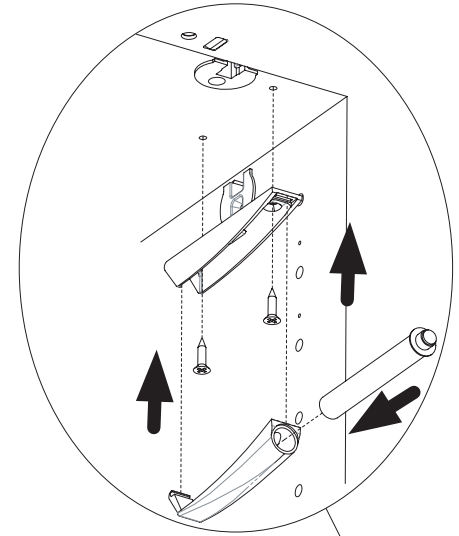
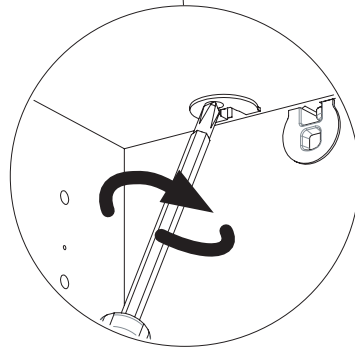
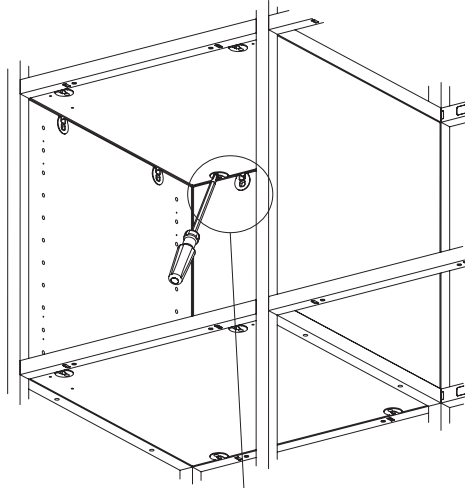
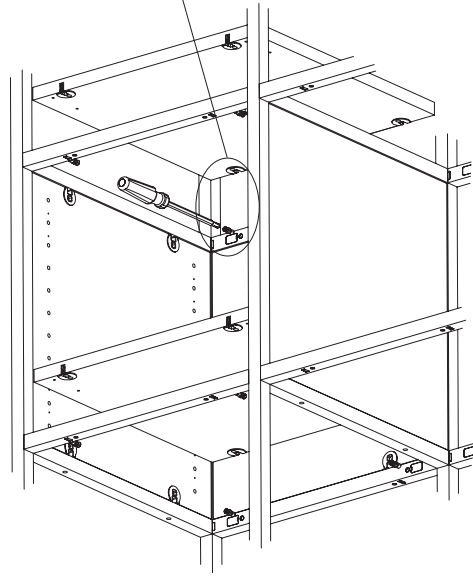
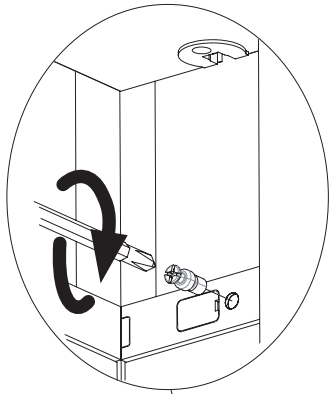
- Push the cable port into the divider panel
- Screw four of the Rafix pins into the back of the frame.
- Push the divider panel on from the back so it locates onto the Rafix pins.
- Secure the panel in position with a quarter turn using the screwdriver.



Fix the top & bottom panel and the push release catch

1.3

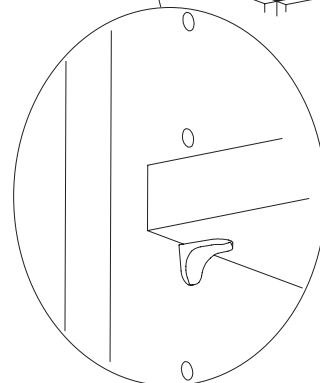
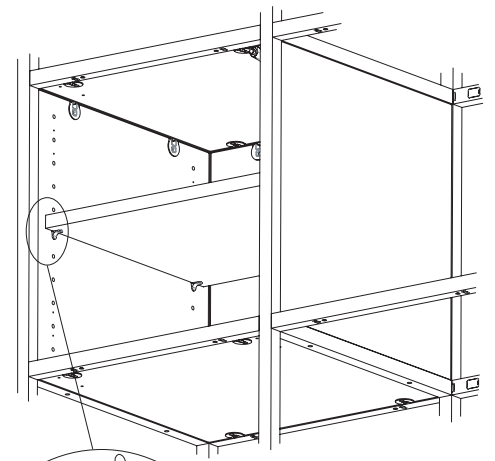
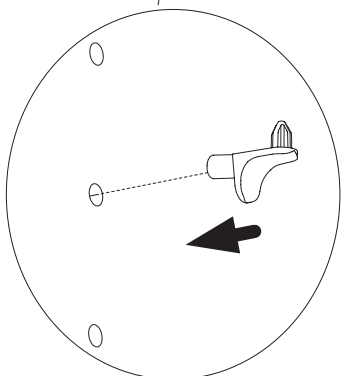
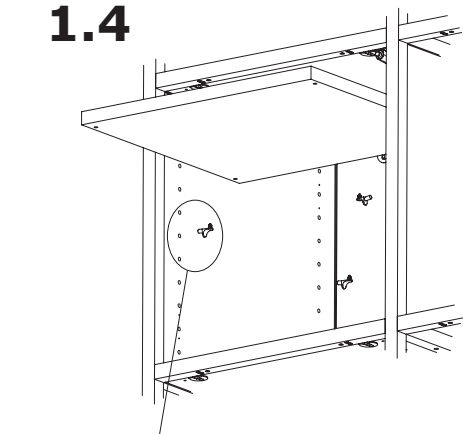
- Screw eight of the Rafix pins into the top & bottom of the frame.
- Place the panels so they locate onto the Rafix pins.
- Secure the panels in position with a quarter turn using a screwdriver.
- Install the push release catch base using the countersink screws.
- Clip on the cover & insert the barrel.



1.4

Install a shelf

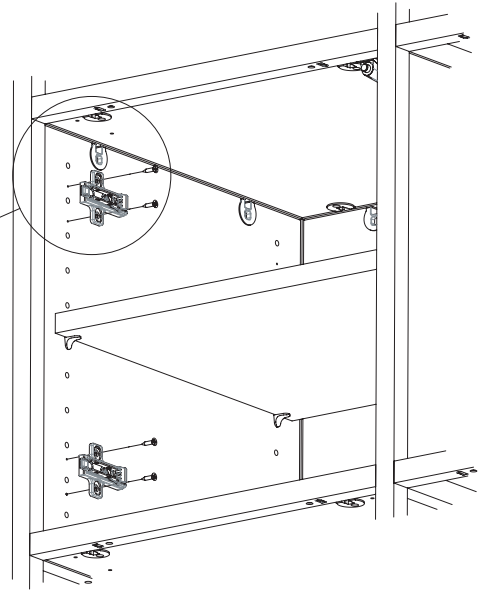
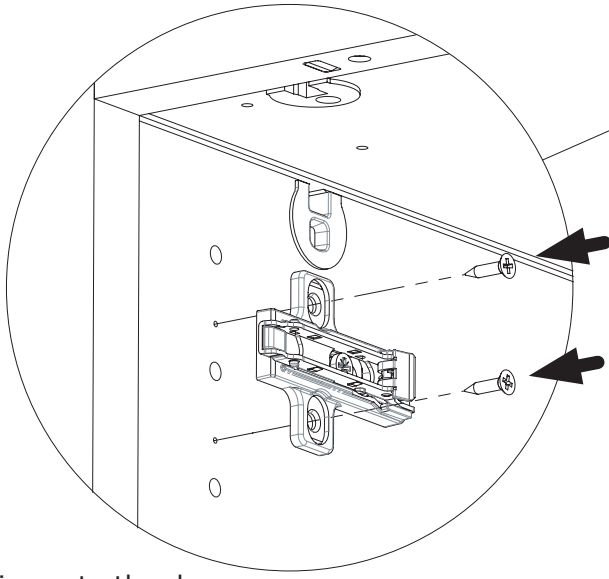
- Four shelf supports required per shelf.
- Push the shelf supports into the holes in the sides, you require two at the front & two at the back position.
- Place the shelf inside the cupboard so it locates onto the shelf supports.



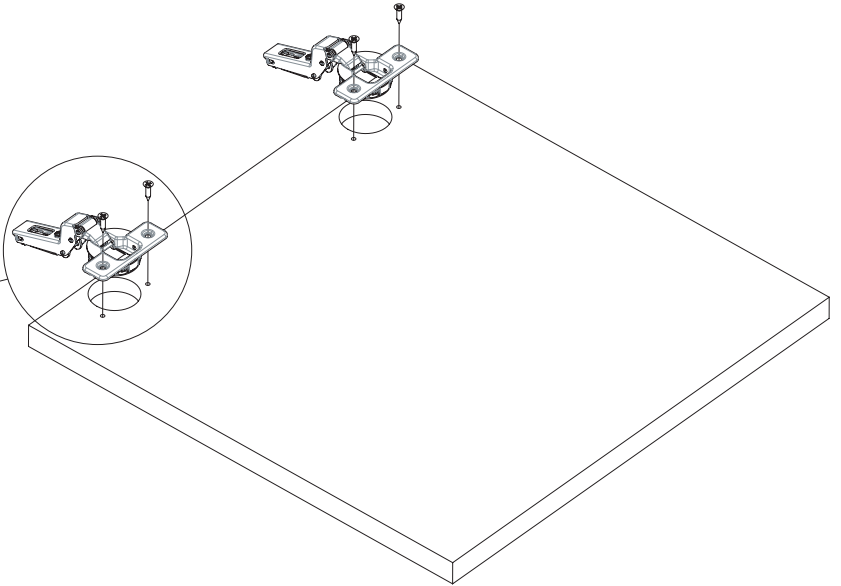
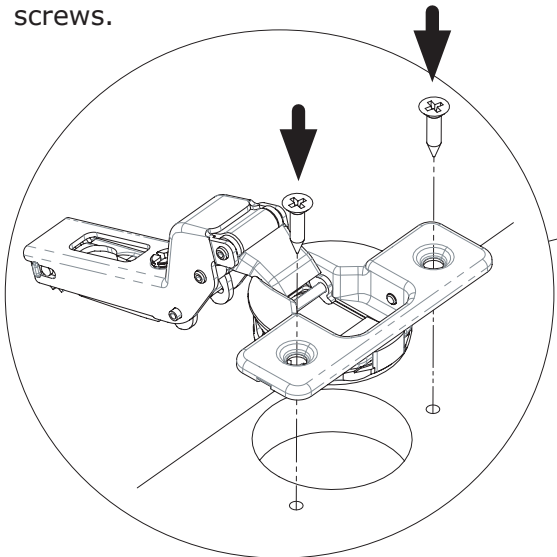
Install a door & fix hinges

1.5

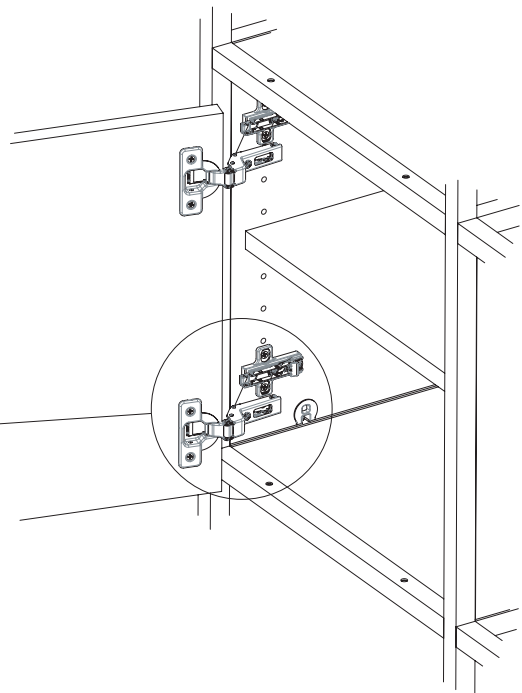
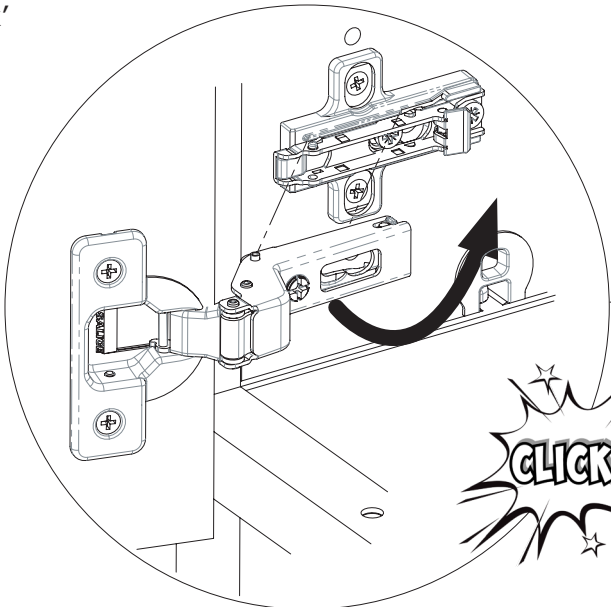
- Fix the hinge plates to the side of the cupboard using the countersink screws.



- Fix the hinges to the door using the countersink screws.



- Engage the hinged door onto the hinge plates position at the front then click onto the back until you feel/hear a 'click'



shelved[®]



Use the QR code to access the website directly from your mobile device.