

shelved[®]

Desks

PLEASE READ

These assembly instructions are designed as a guide to assist in the assembly of our modular system. As configurations of the range vary greatly, the instructions are generic in their approach and teach the principles of construction rather than providing layout specific, step-by-step instructions.

Instructional videos, downloadable versions of assembly instructions and FAQs can be found on our website, <https://www.shelved.co.uk/pages/assembly>.



PLEASE NOTE:

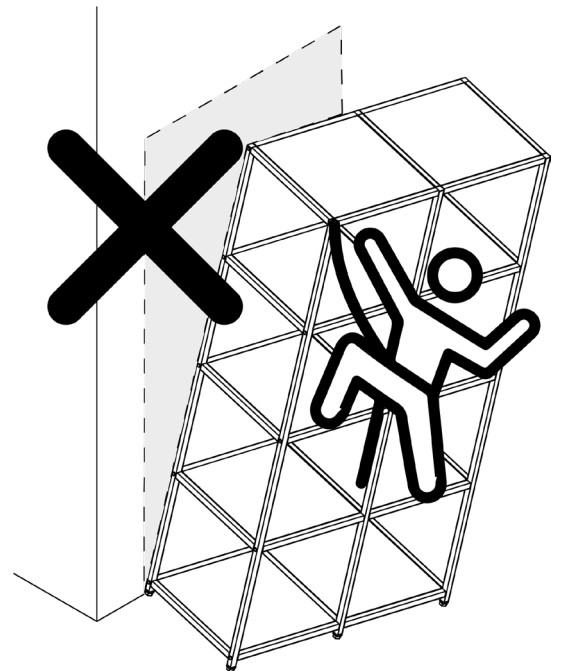
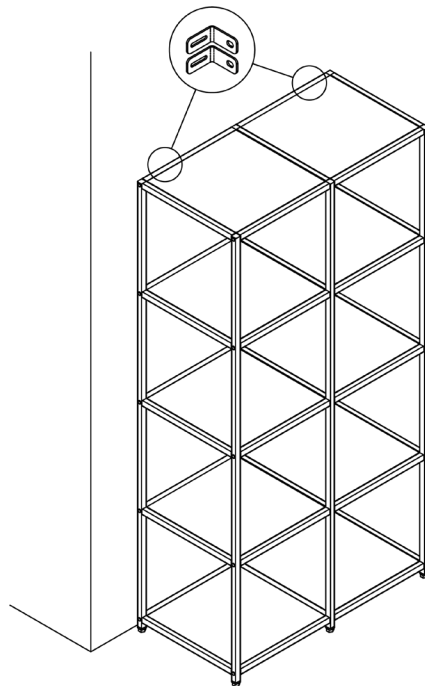
- Shelved accepts no responsibility for any damage caused by wall fixing our furniture.
- We will not accept liability for the system being installed against walls of poor condition or the use of unsuitable fixings to suit the wall type.
- All furniture over 90cm high **MUST** be wall fixed to prevent tip-over accidents.

Warning!



All furniture over 90cm tall **MUST** be securely fastened to a wall to prevent tip-over accidents.

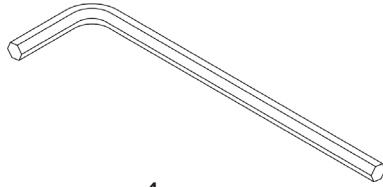
When dressing your shelving please give consideration to the placement of heavy items to avoid accidents. Where possible position these as low as possible. Never let children (or unsupervised adults) climb or hang on furniture.



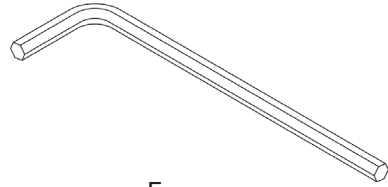
What you will need



Screwdriver



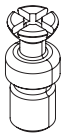
4mm
Allen Key



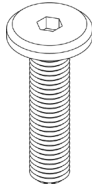
5mm
Allen Key

Part Identification - Hardware

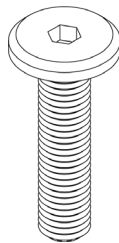
See fittings kit list for quantities



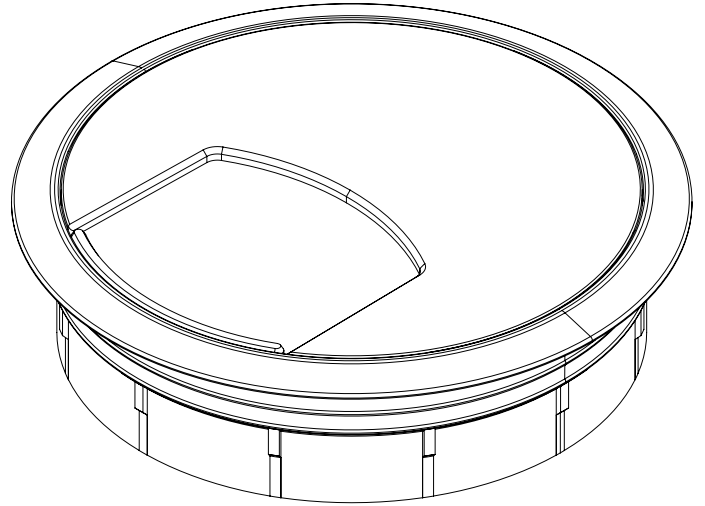
M6 Rafx
Pin



M6 x 30mm
Connector bolt

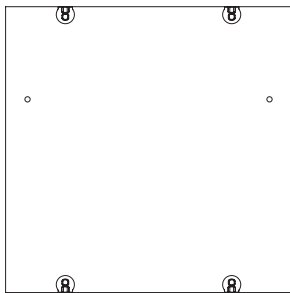


M8 x 40mm
Connector bolt

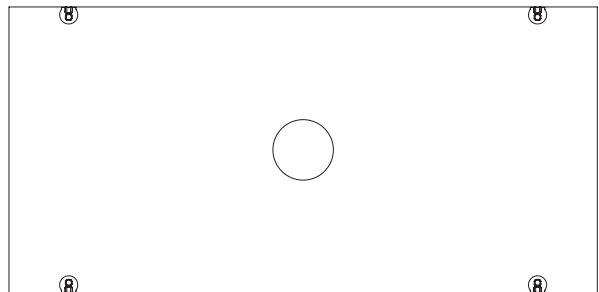


Cable
Port

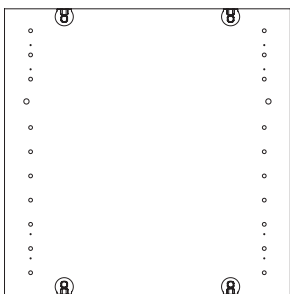
Part Identification



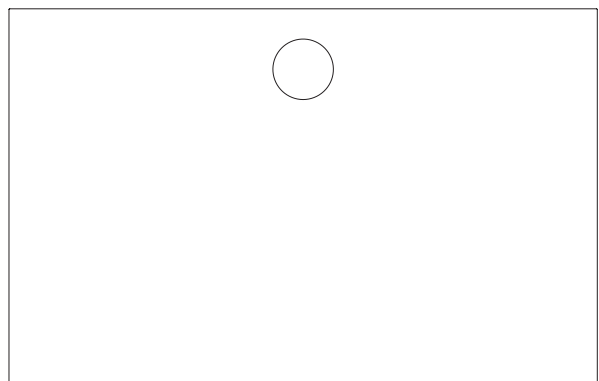
Desk Side
SH-DESK-SIDE



Divider Cable Managed
SH-DIV-48-CM



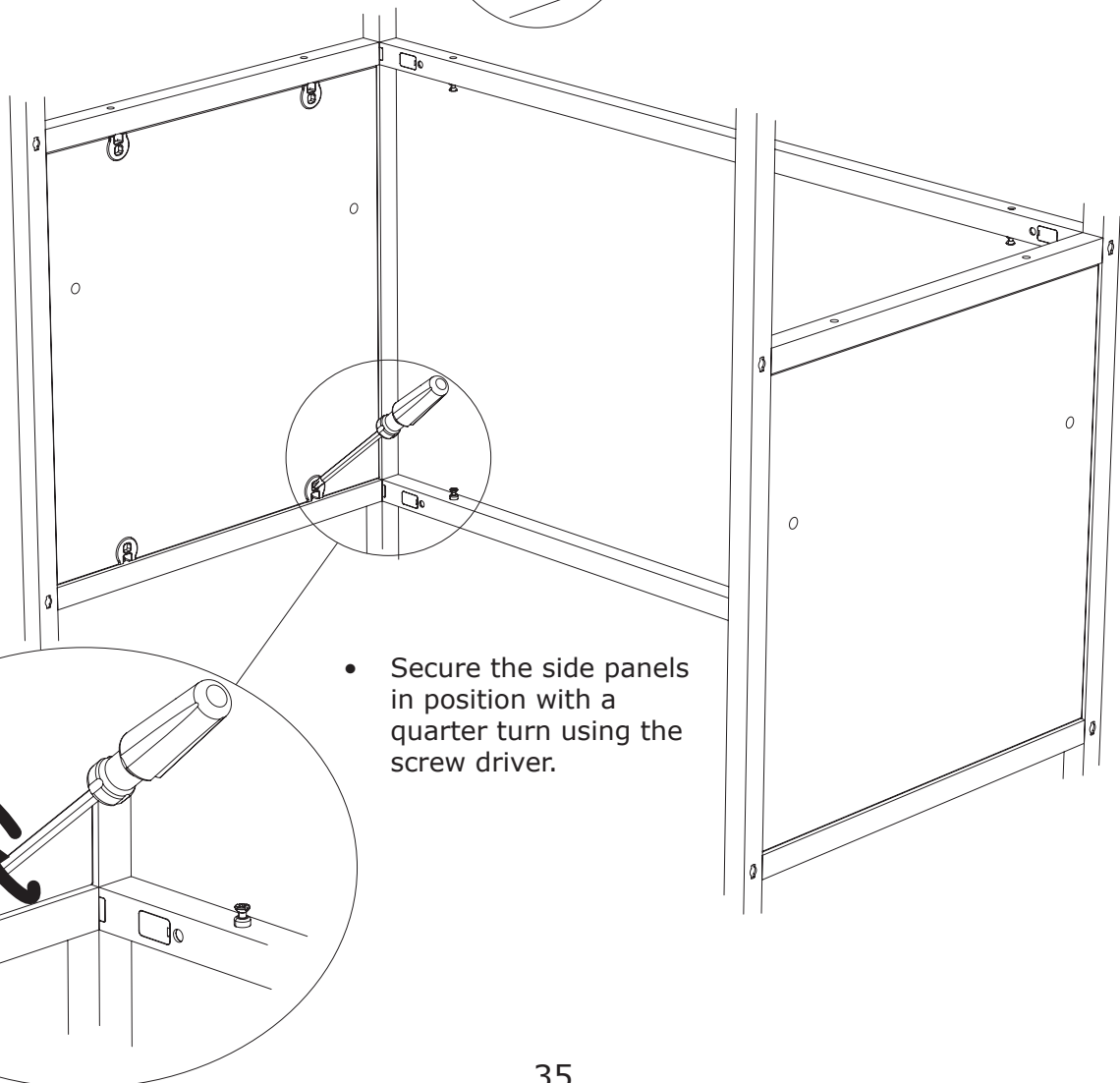
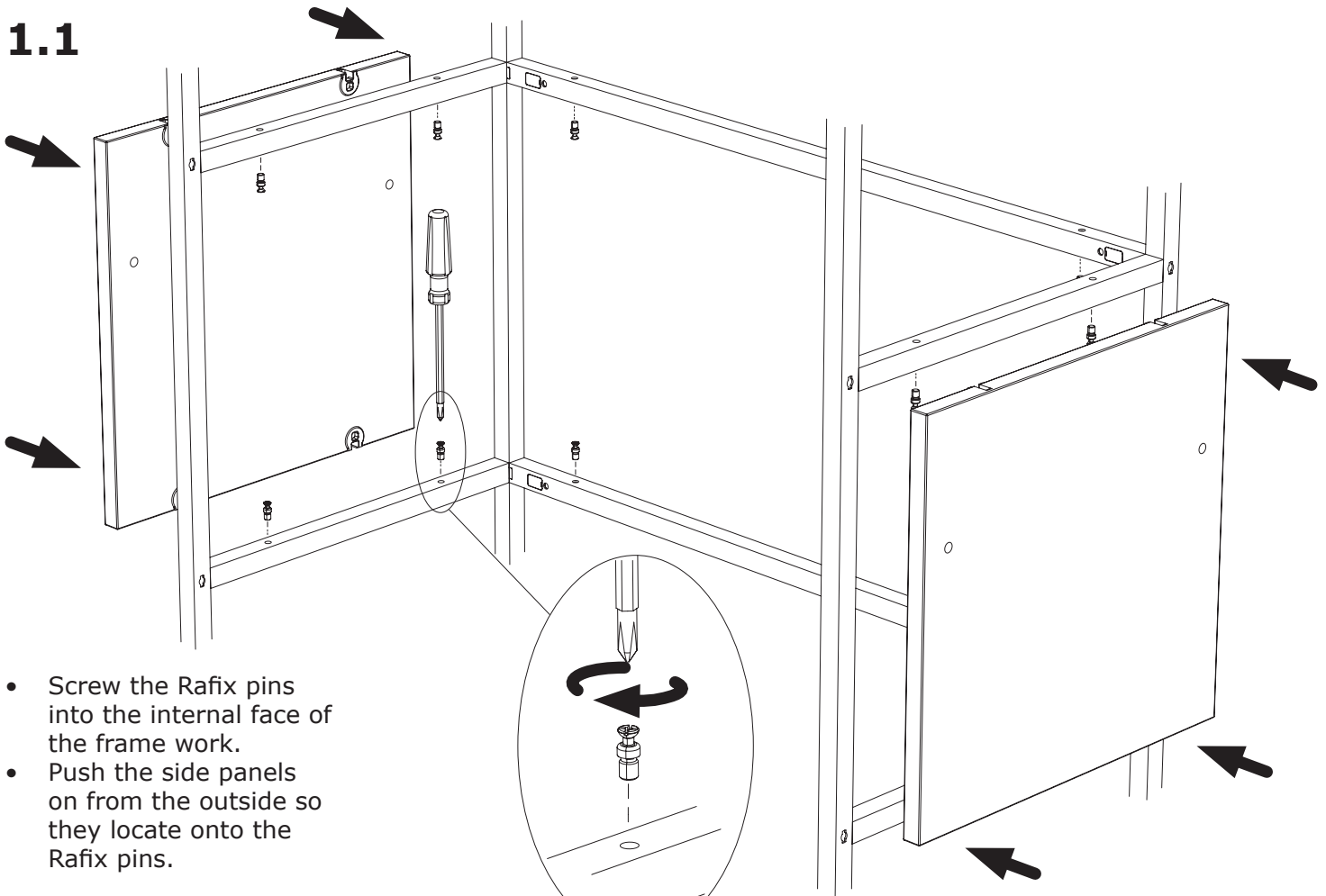
Cupboard Side - Desk
SH-CUP-SIDE-DESK



Desktop Cable Managed
SH-DESK-TOP-08

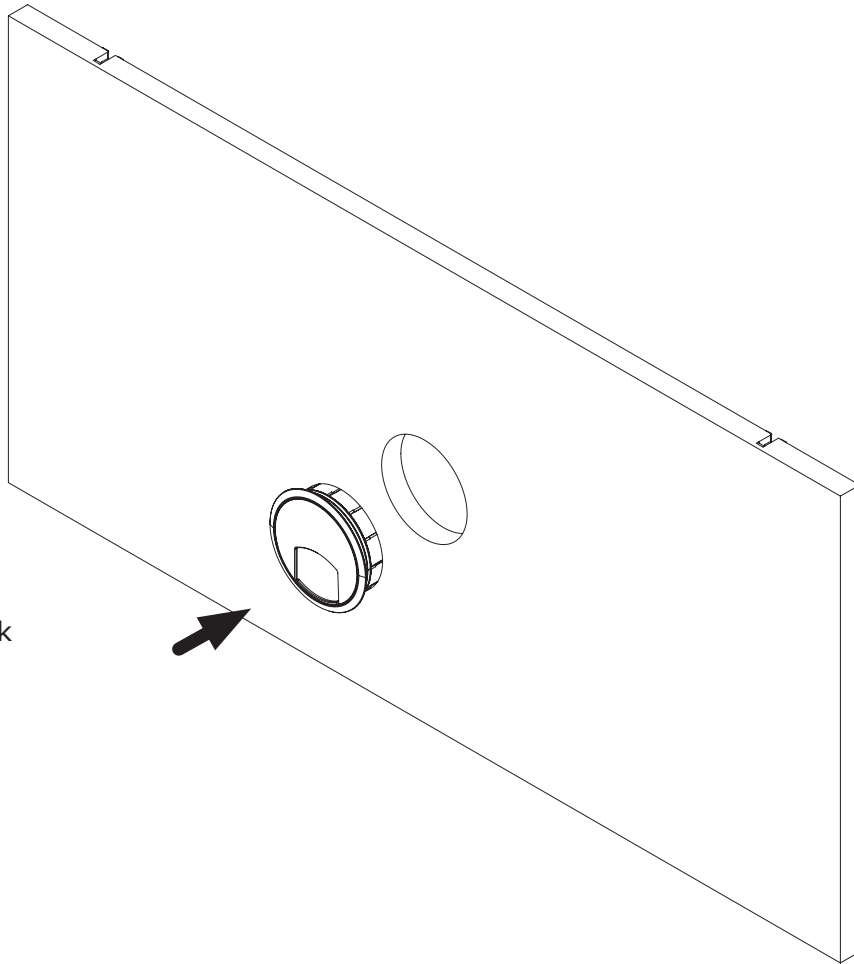
Fix the side panels

1.1



Insert cable port

1.2

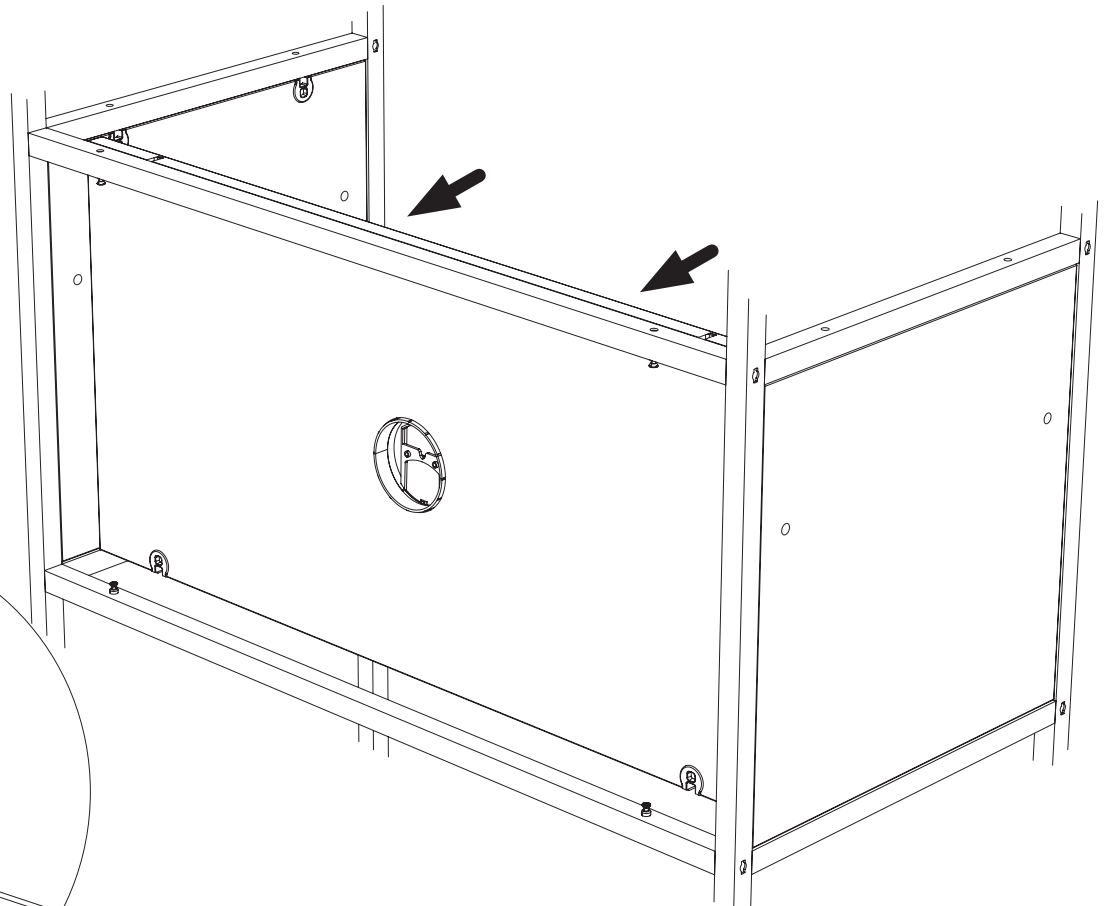


- Insert the cable port before fitting the back panel.

Fix the back panel on

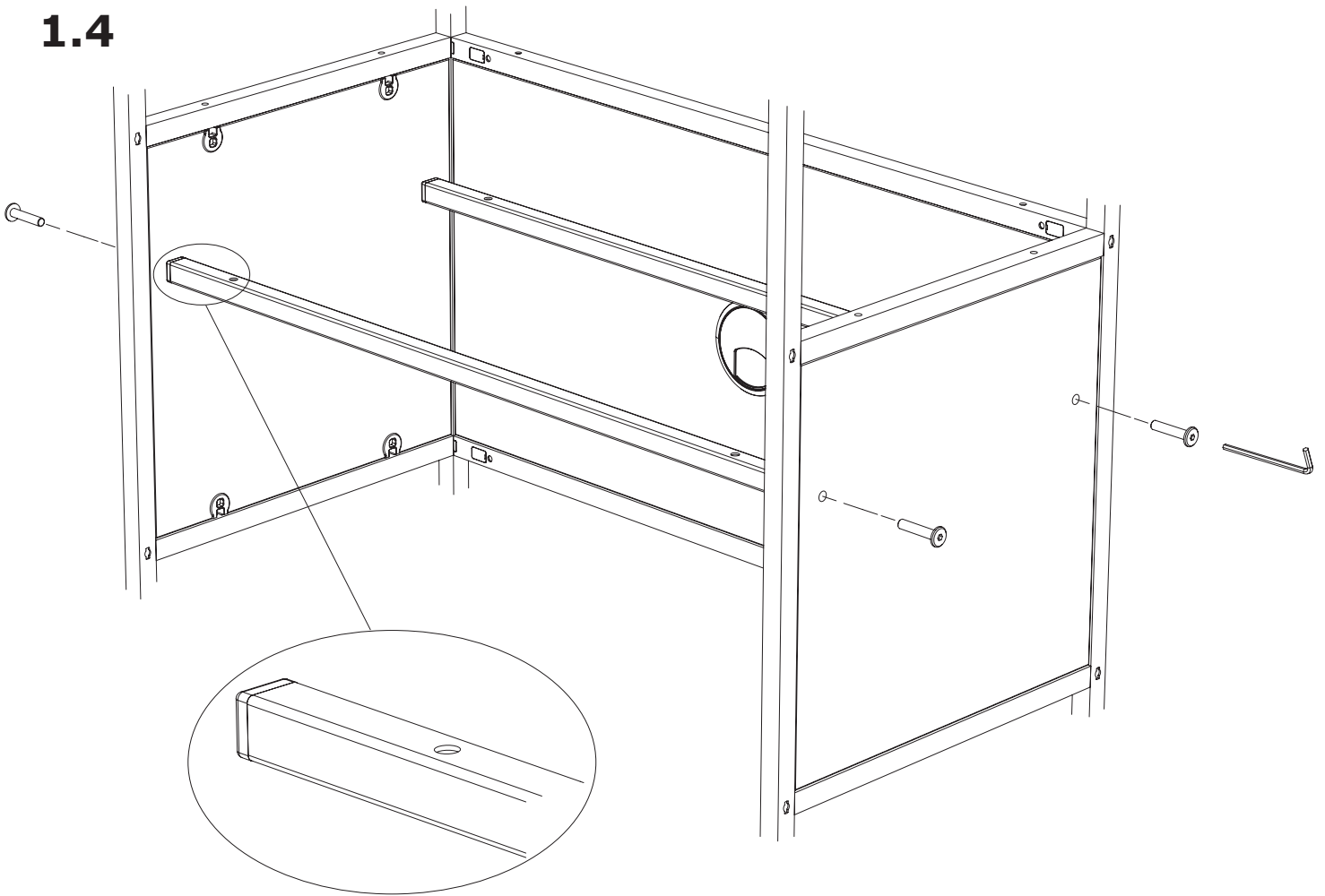
1.3

- Push the back panel on from the inside so it locates onto the raxif pins
- Using the screwdriver tighten up the cams with a quarter turn.

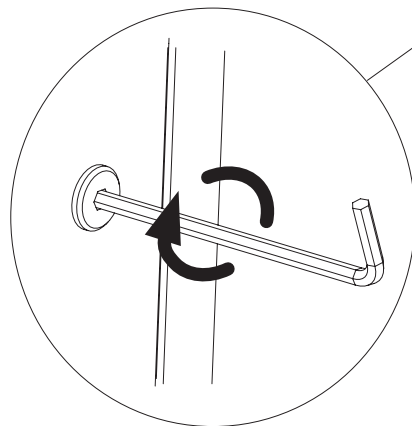
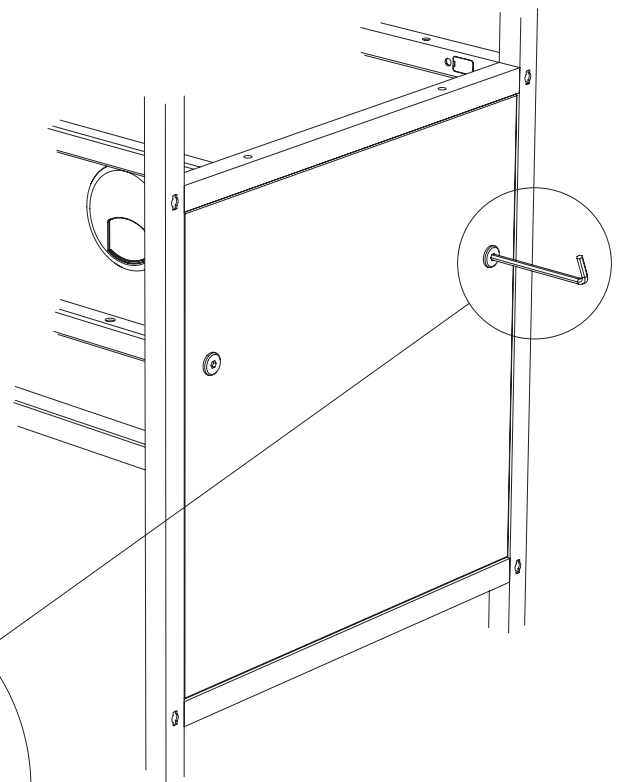


Fix the rails inplace

1.4



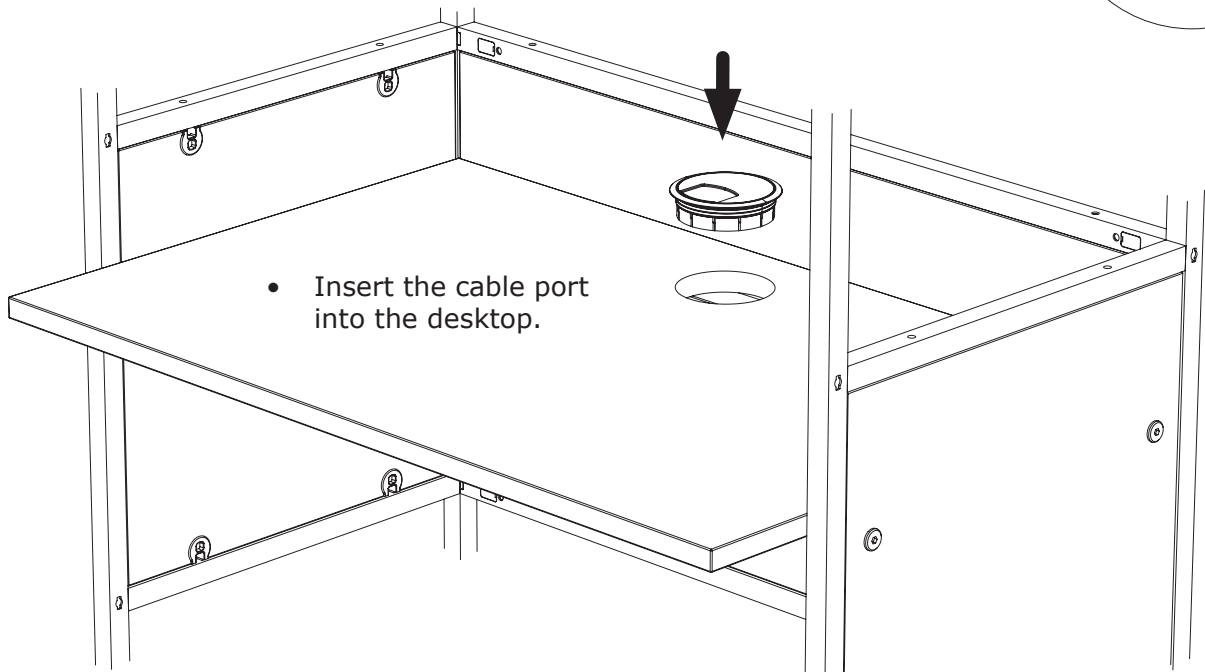
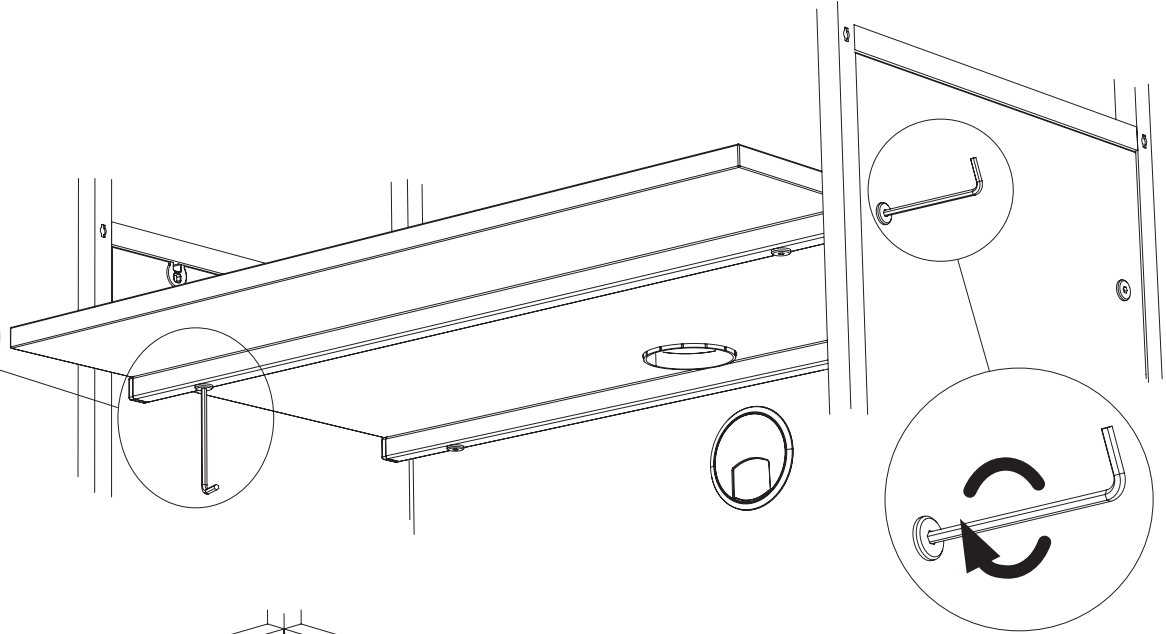
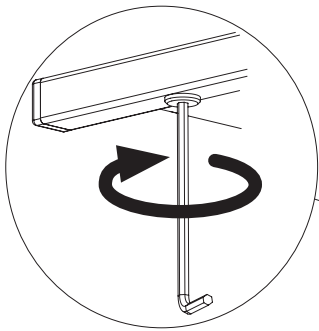
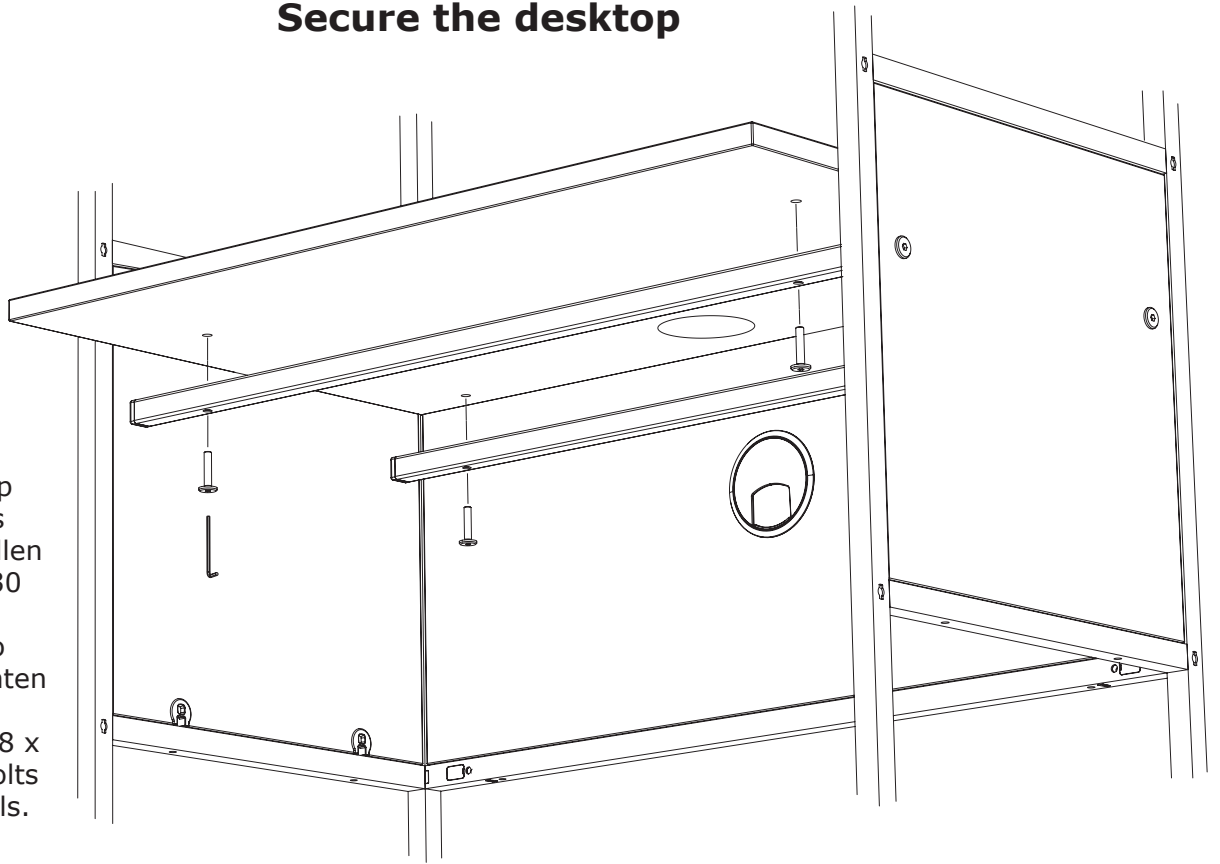
- Offer up the rails so they are in-line with the holes on the side panels
- Using the allen key & the M8 x 40mm connectors bolts secure the rails in position but do not fully tighten.
- Ensure the holes run vertical this will allow you to connect the desktop trouble free.



Secure the desktop

1.5

- Place the desktop on top of the rails then using the allen key & the M6 x 30 connectors bolts secure the top to the rails and tighten
- Now go back & tighten up the M8 x 40 connectors bolts on the side panels.



- Insert the cable port into the desktop.

shelved[®]



Use the QR code to access the website directly from your mobile device.