

# shelved<sup>®</sup>

---

Fabric Panels and Planter Boxes

## PLEASE READ

These assembly instructions are designed as a guide to assist in the assembly of our modular system. As configurations of the range vary greatly, the instructions are generic in their approach and teach the principles of construction rather than providing layout specific, step-by-step instructions.

Instructional videos, downloadable versions of assembly instructions and FAQs can be found on our website, <https://www.shelved.co.uk/pages/assembly>.



### PLEASE NOTE:

- Shelved accepts no responsibility for any damage caused by wall fixing our furniture.
- We will not accept liability for the system being installed against walls of poor condition or the use of unsuitable fixings to suit the wall type.
- All furniture over 90cm high **MUST** be wall fixed to prevent tip-over accidents.

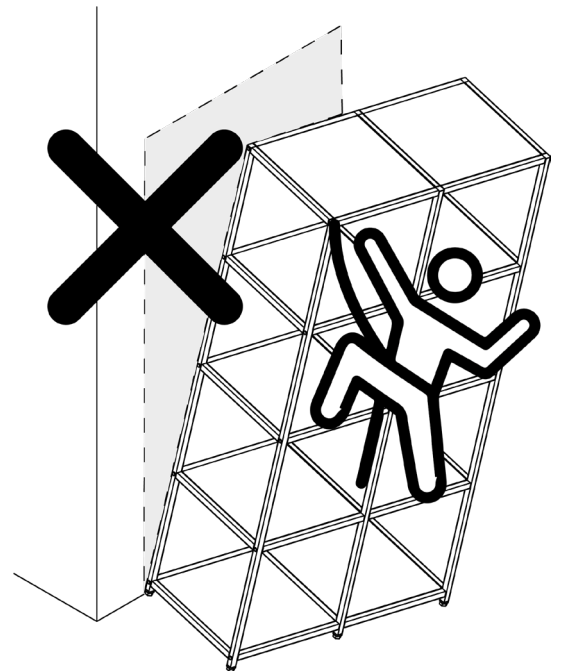
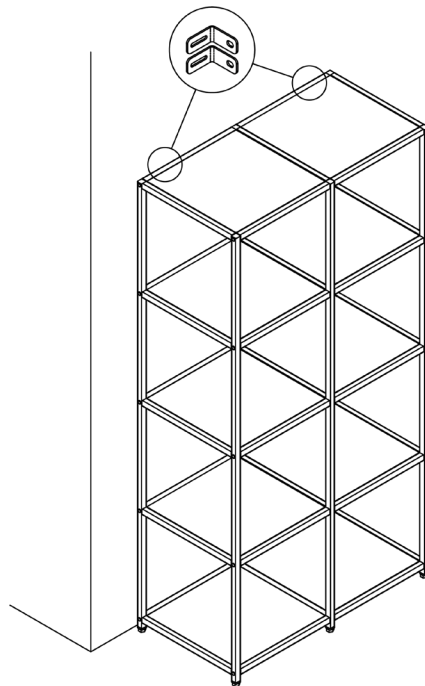
---

### Warning!

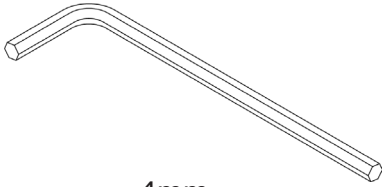


**All** furniture over 90cm tall **MUST** be securely fastened to a wall to prevent tip-over accidents.

When dressing your shelving please give consideration to the placement of heavy items to avoid accidents. Where possible position these as low as possible. Never let children (or unsupervised adults) climb or hang on furniture.



## What you will need



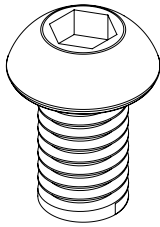
4mm  
Allen Key

---

## Part Identification - Hardware

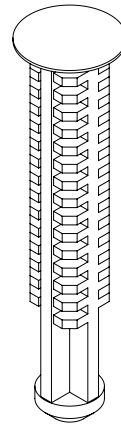
See *fittings kit list* for quantities

### Planter boxes

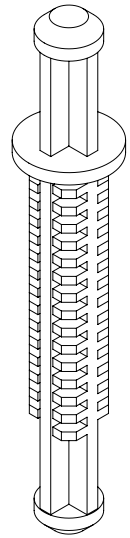


M6  
Screw

### Fabric panel pins



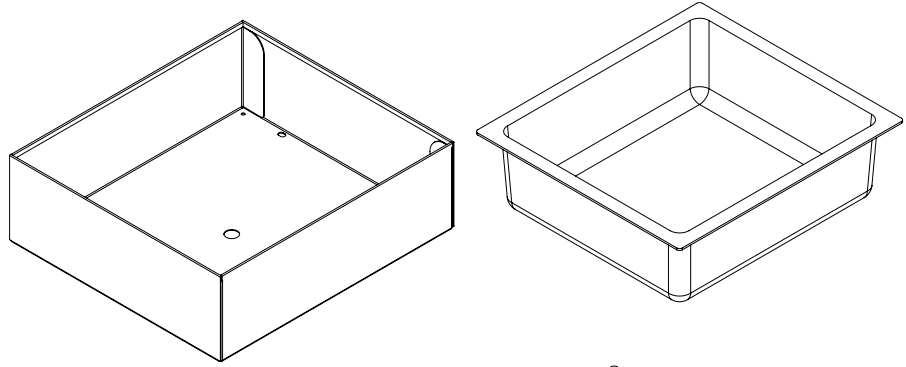
Single  
Pin



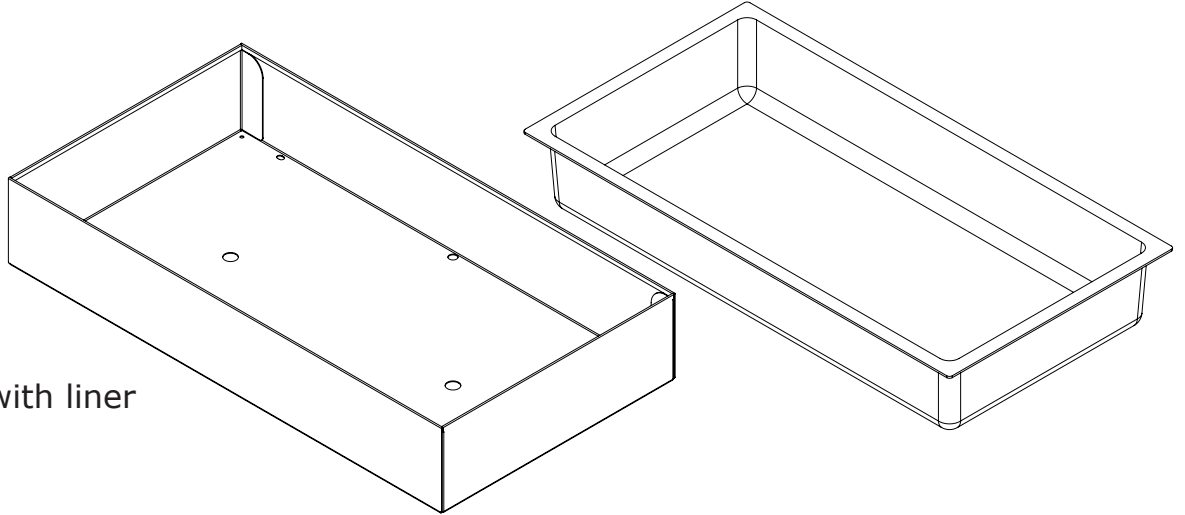
Double  
Pin

## Part Identification

Planter boxes



Planter box  
Small - comes with liner  
SH-BOX-ON44

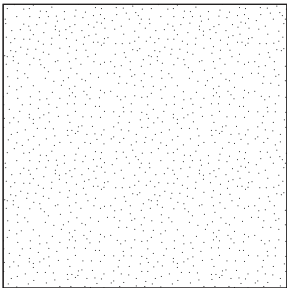


Planter box  
Double - comes with liner  
SH-BOX-ON84

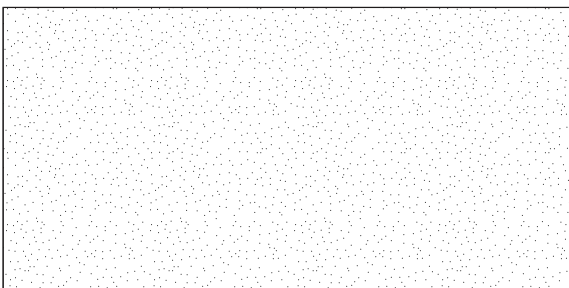
---

## Part Identification

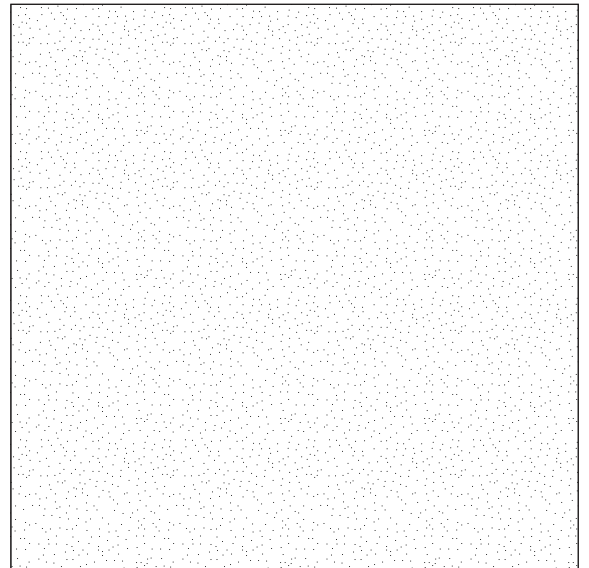
Fabric panels



Fabric panel  
Single  
SH-FAB-0404 / SH-FAB-PIN-0404



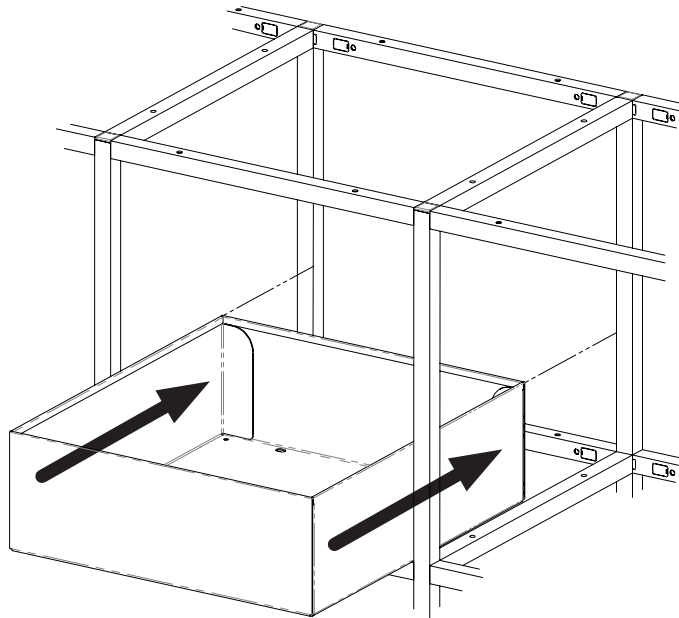
Fabric panel  
Double  
SH-FAB-0804 / SH-FAB-PIN-0804



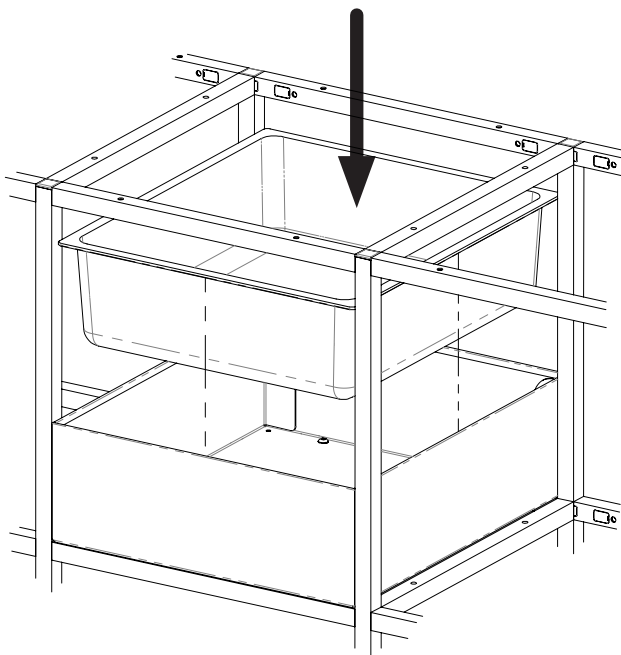
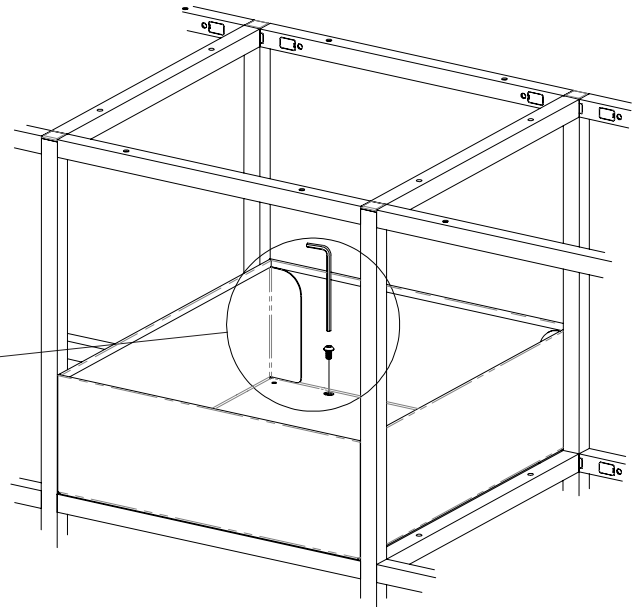
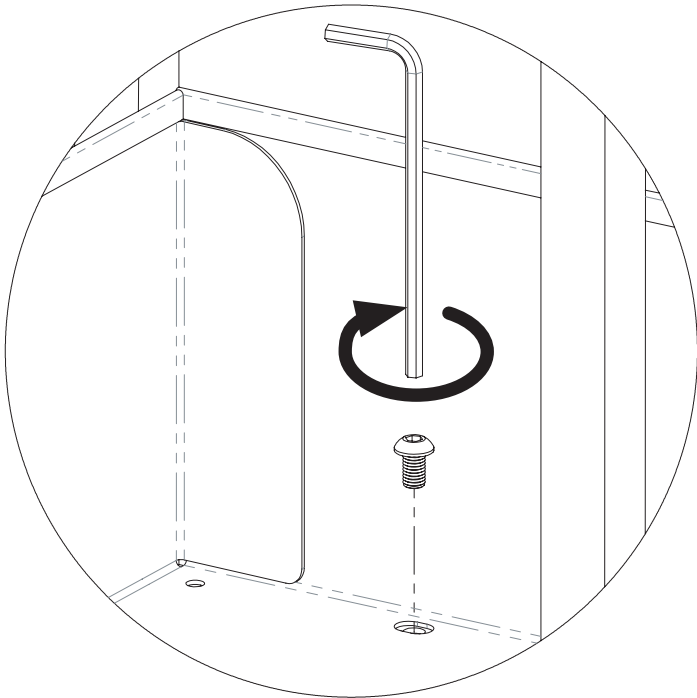
Fabric panel  
Large  
SH-FAB-0808 / SH-FAB-PIN-0808

# Planter boxes

## 1.1



- Insert the planter box into the frame so it sits on two rails
- Tighten the screws using the allen key

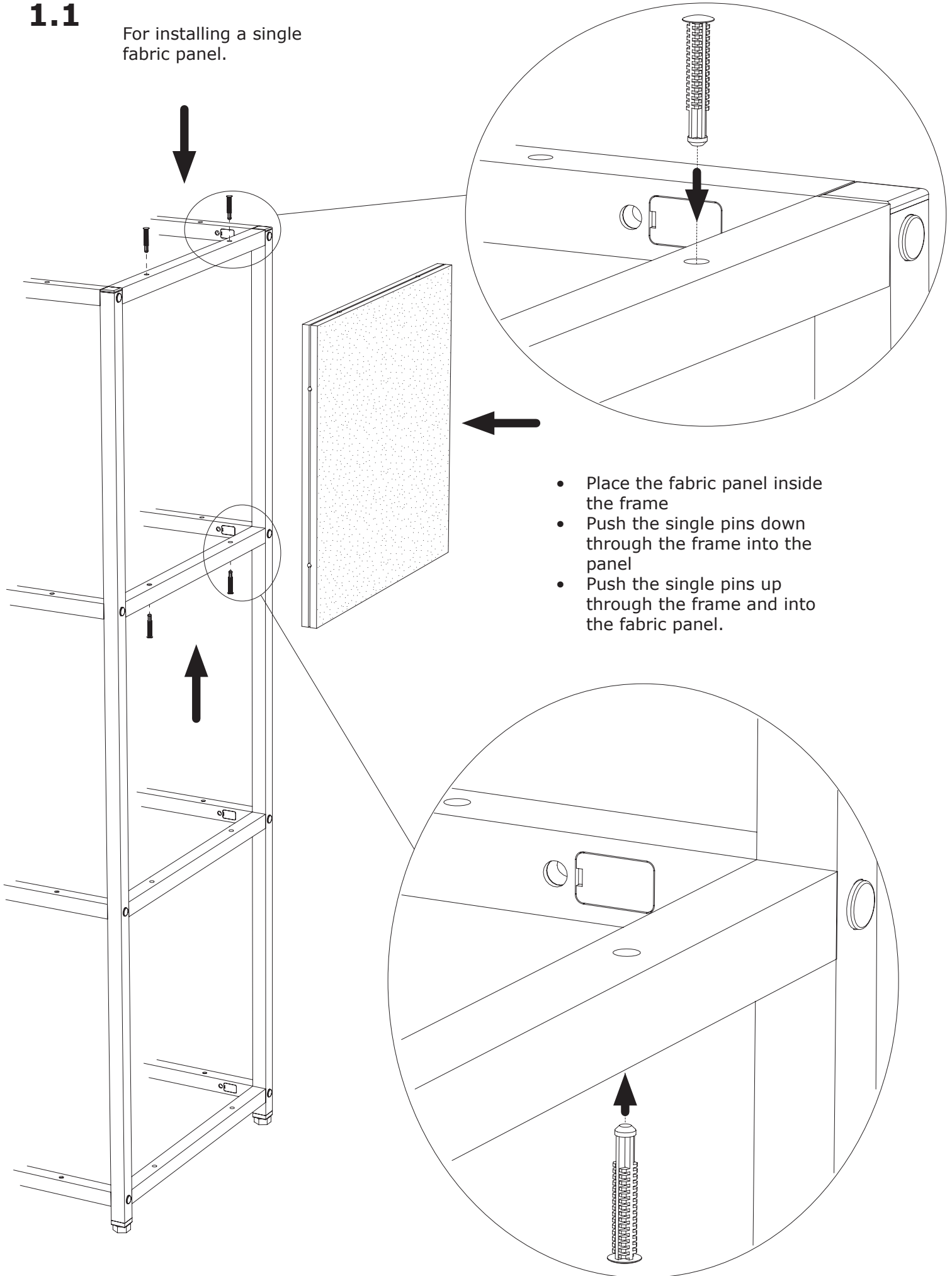


- Place the clear planter liner inside the box

# Single Fabric panel

## 1.1

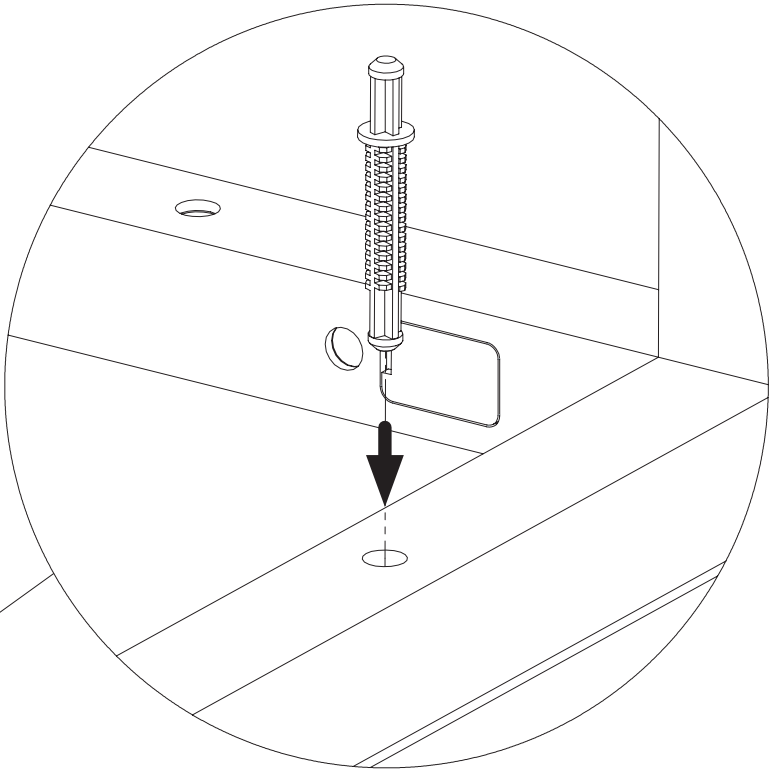
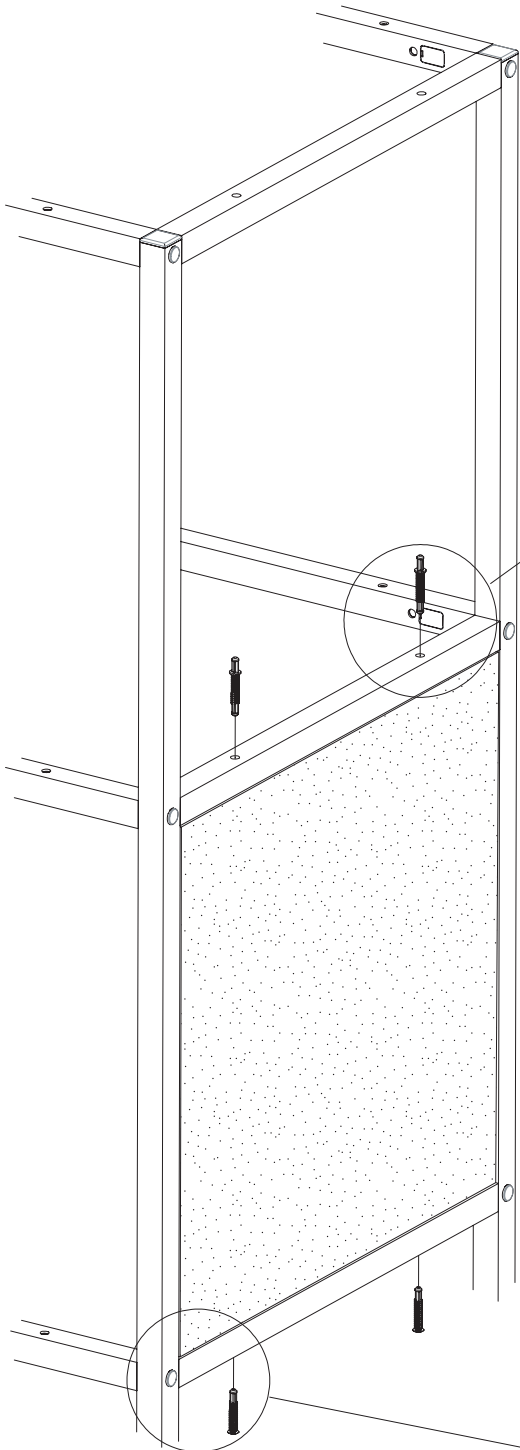
For installing a single fabric panel.



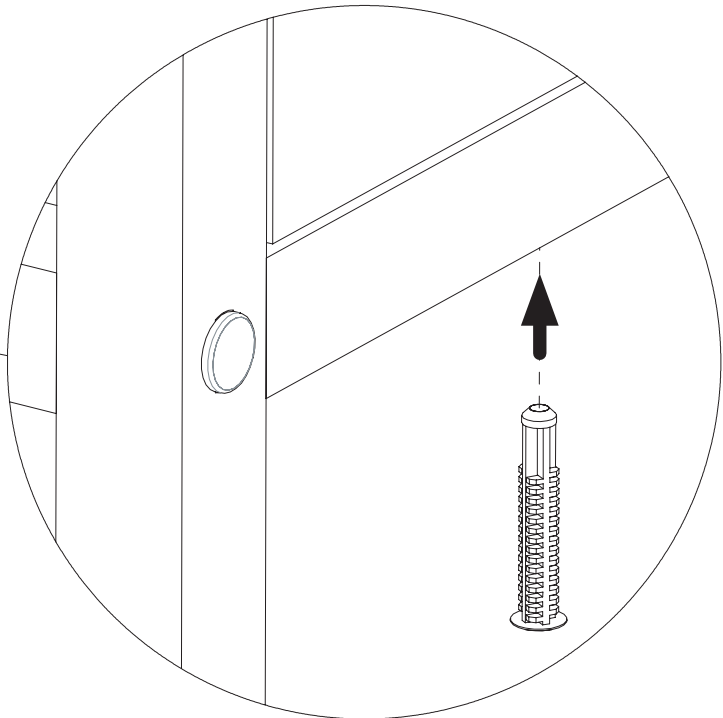
# More than one Fabric panel

## 1.1

For installing two or more fabric panels.



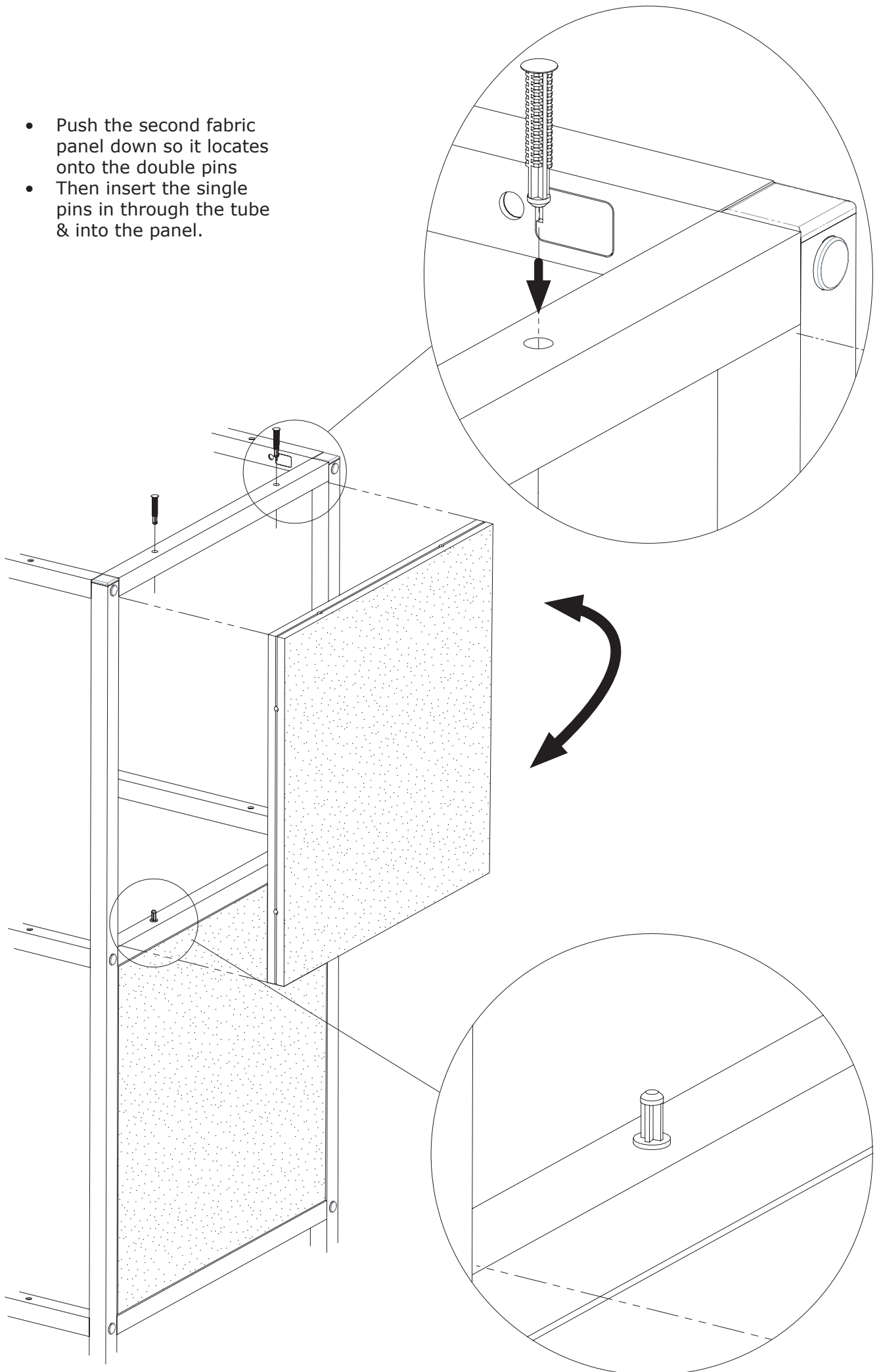
- Place the fabric panel inside the frame
- Push the double pins down through the frame into the panel
- Push the single pins up through the frame and into the fabric panel.



## More than one Fabric panel

### 1.2

- Push the second fabric panel down so it locates onto the double pins
- Then insert the single pins in through the tube & into the panel.





# shelved<sup>®</sup>



Use the QR code to access the website directly from your mobile device.