

shelved[®]

Shelves and Divisions

PLEASE READ

These assembly instructions are designed as a guide to assist in the assembly of our modular system. As configurations of the range vary greatly, the instructions are generic in their approach and teach the principles of construction rather than providing layout specific, step-by-step instructions.

Instructional videos, downloadable versions of assembly instructions and FAQs can be found on our website, <https://www.shelved.co.uk/pages/assembly>.



PLEASE NOTE:

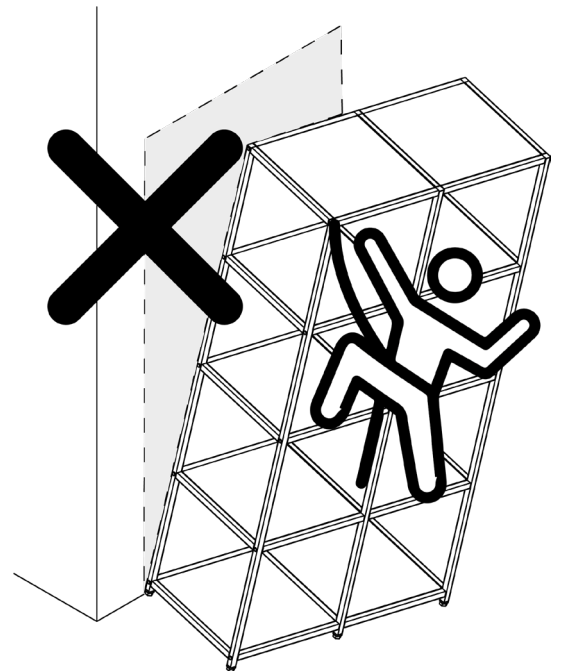
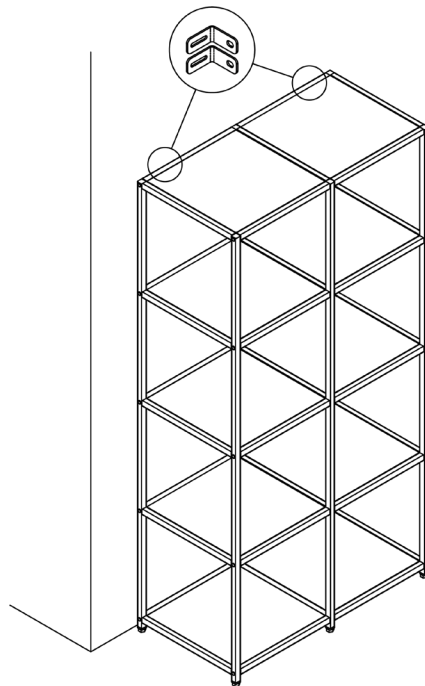
- Shelved accepts no responsibility for any damage caused by wall fixing our furniture.
- We will not accept liability for the system being installed against walls of poor condition or the use of unsuitable fixings to suit the wall type.
- All furniture over 90cm high **MUST** be wall fixed to prevent tip-over accidents.

Warning!



All furniture over 90cm tall **MUST** be securely fastened to a wall to prevent tip-over accidents.

When dressing your shelving please give consideration to the placement of heavy items to avoid accidents. Where possible position these as low as possible. Never let children (or unsupervised adults) climb or hang on furniture.



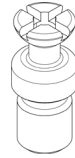
What you will need



Screwdriver

Part Identification - Hardware

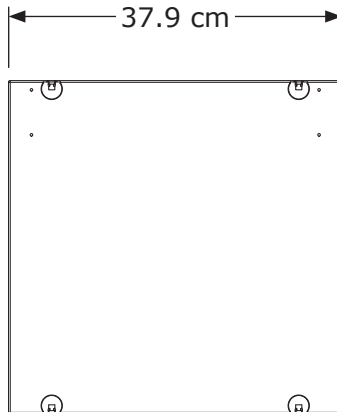
See fittings kit list for quantities



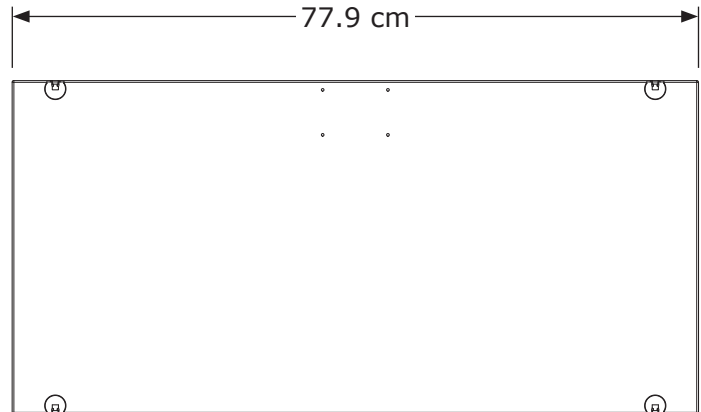
M6 Rafix
Pin

Part Identification

Shelves

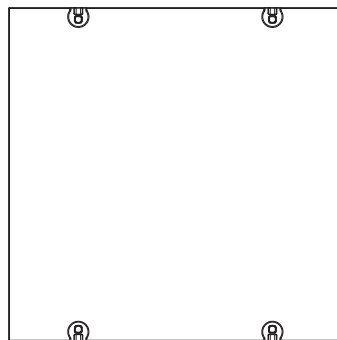


Shelf
Single
SH-SHLF-44

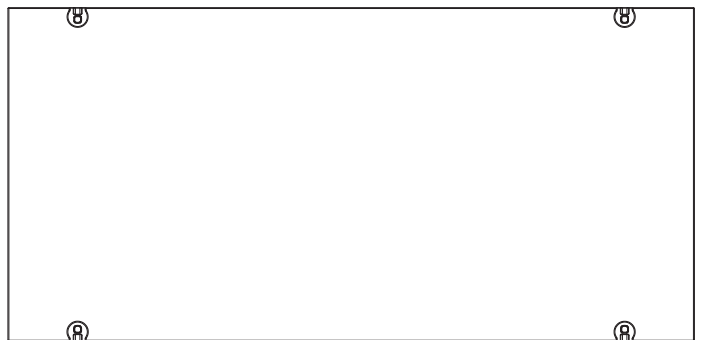


Shelf
Double
SH-SHELF-84

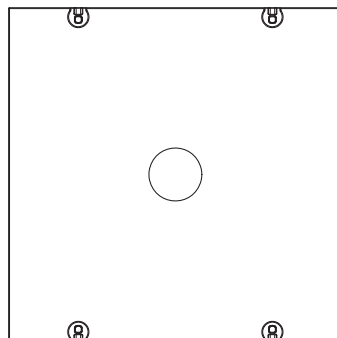
Divisions



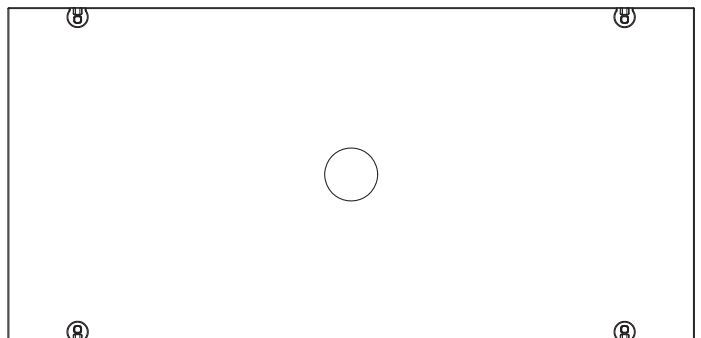
Division
Single
SH-SHLF-44



Division
Double
SH-SHELF-84



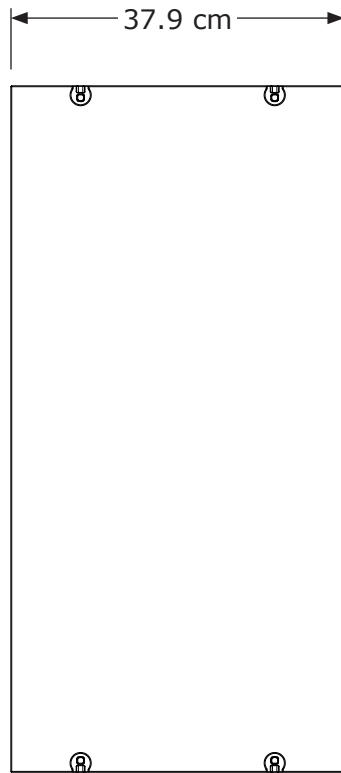
Division
Single
SH-SHLF-44-CM



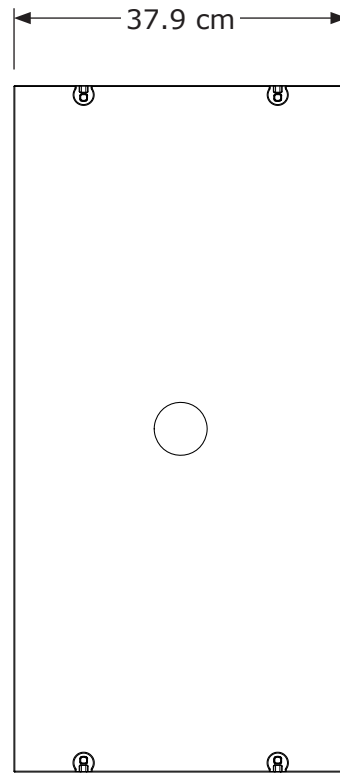
Division
Double
SH-SHELF-84-CM

Part Identification

Divisions



Division
Double
SH-SHELF-48

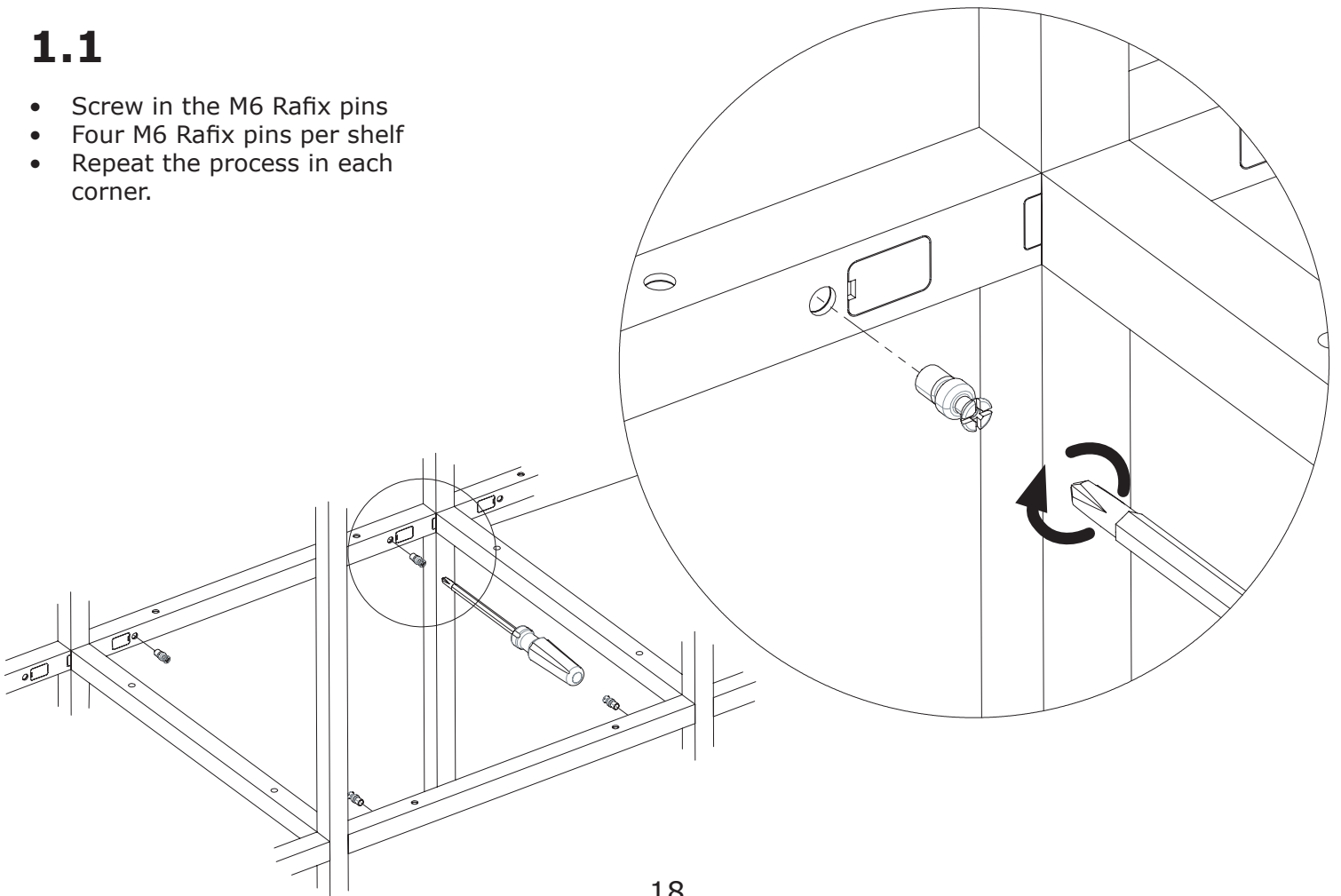


Division
Double
SH-SHELF-48-CM

Fix a shelf

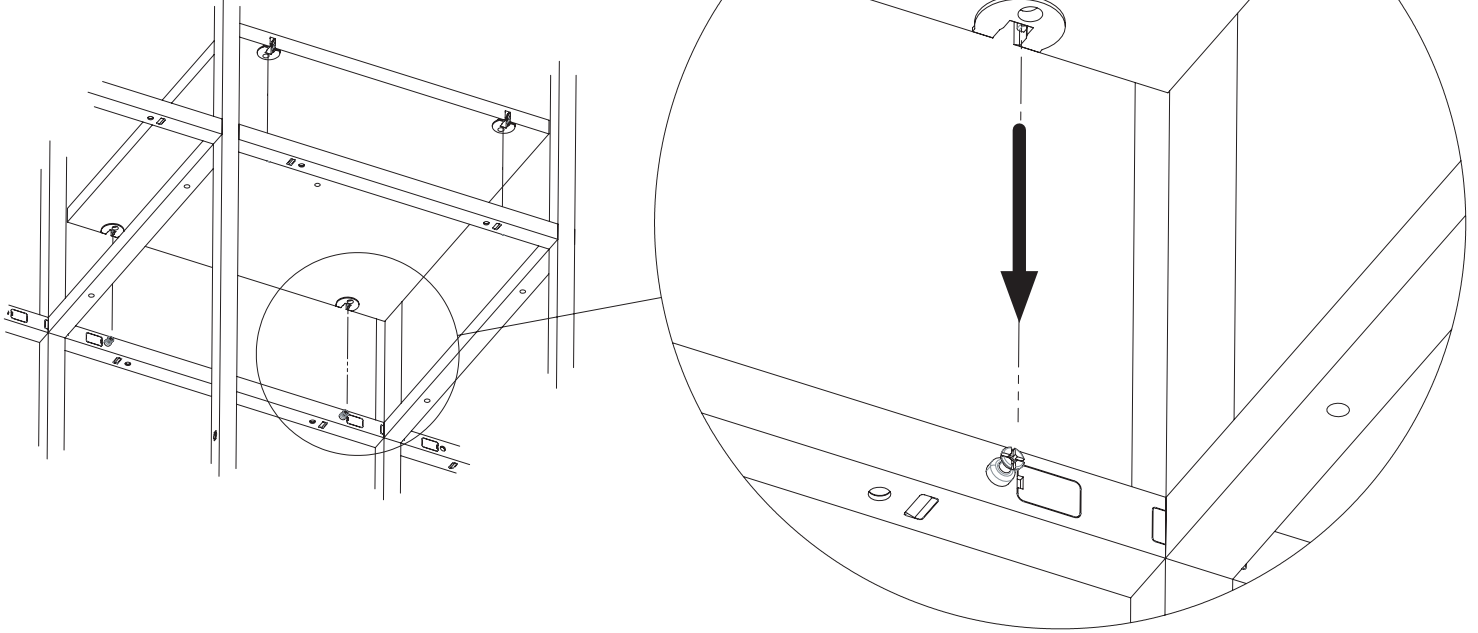
1.1

- Screw in the M6 Rafx pins
- Four M6 Rafx pins per shelf
- Repeat the process in each corner.



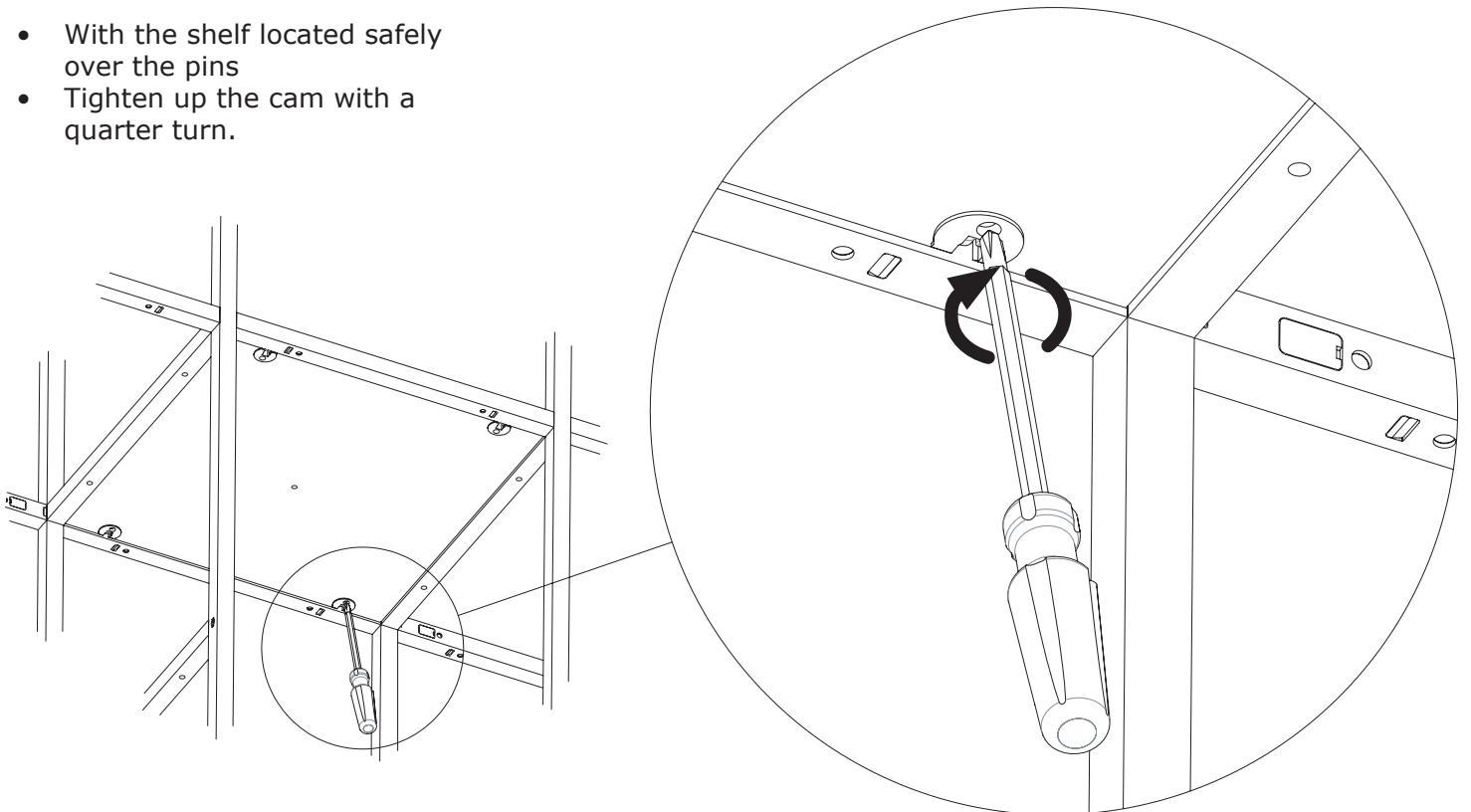
1.2

- Once the M6 Rafix pins are screwed in place
- Lower the shelf into position so it engages with the Rafix pins



1.3

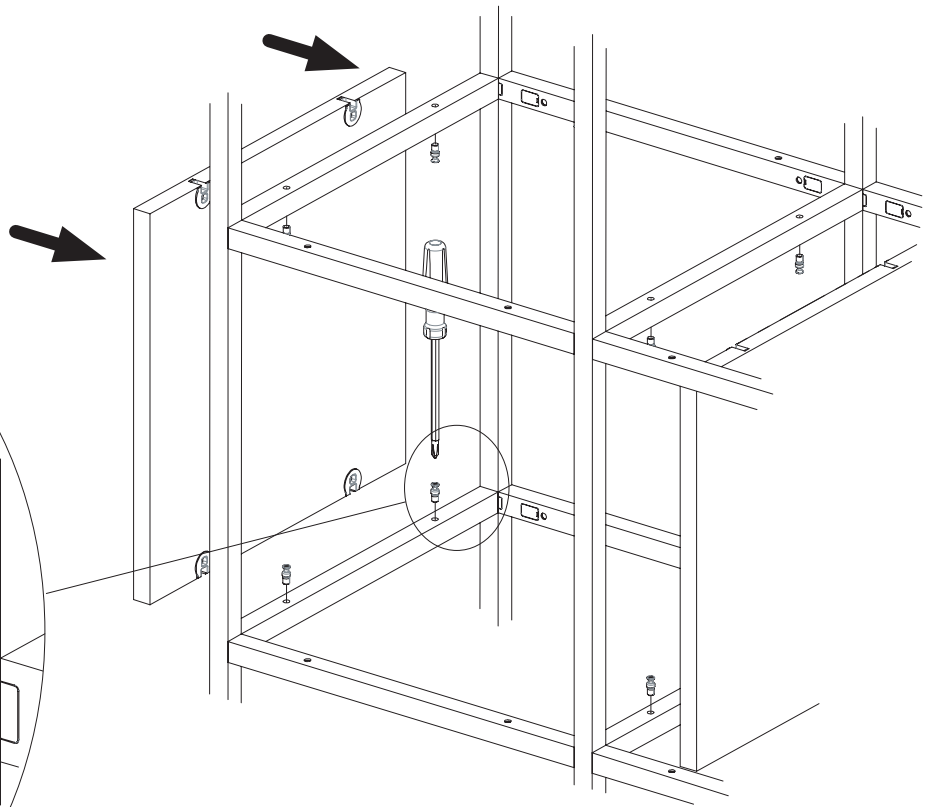
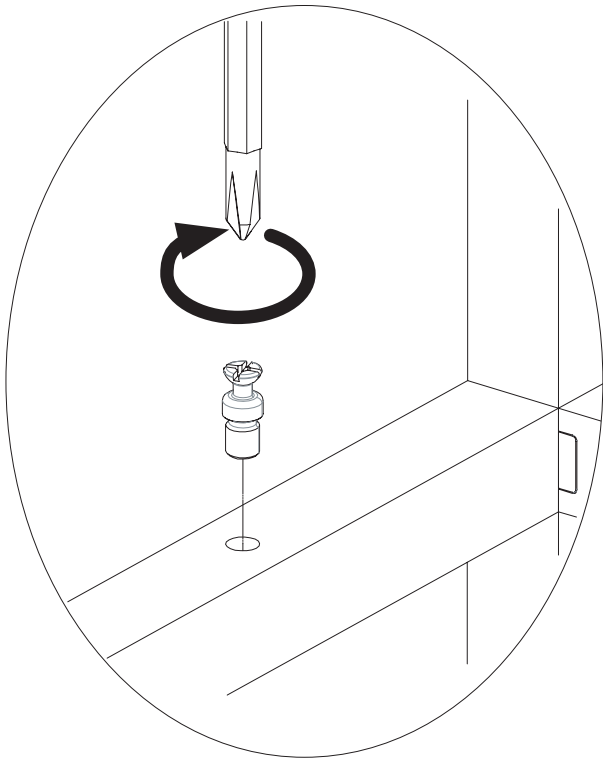
- With the shelf located safely over the pins
- Tighten up the cam with a quarter turn.



Fix a division

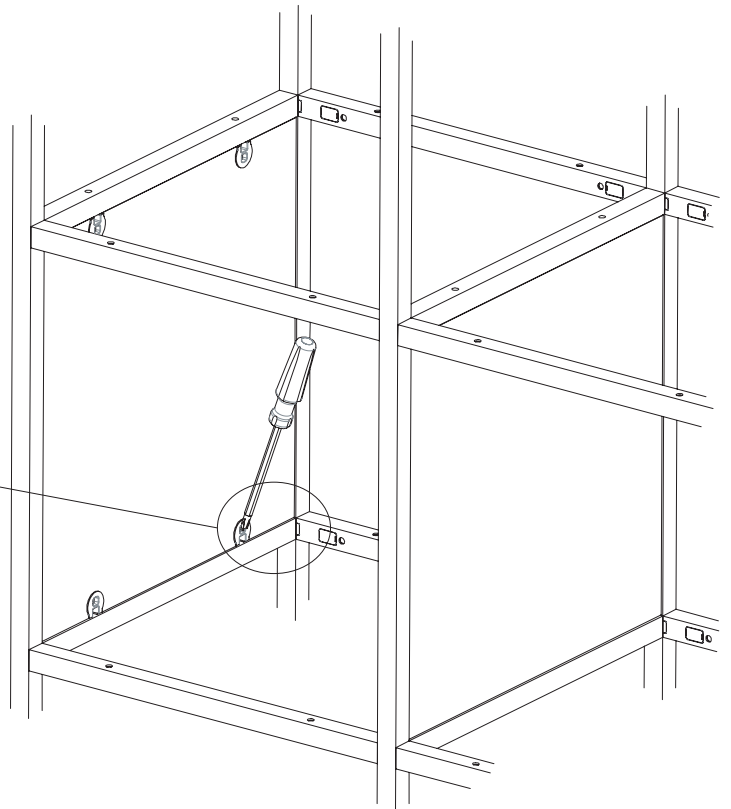
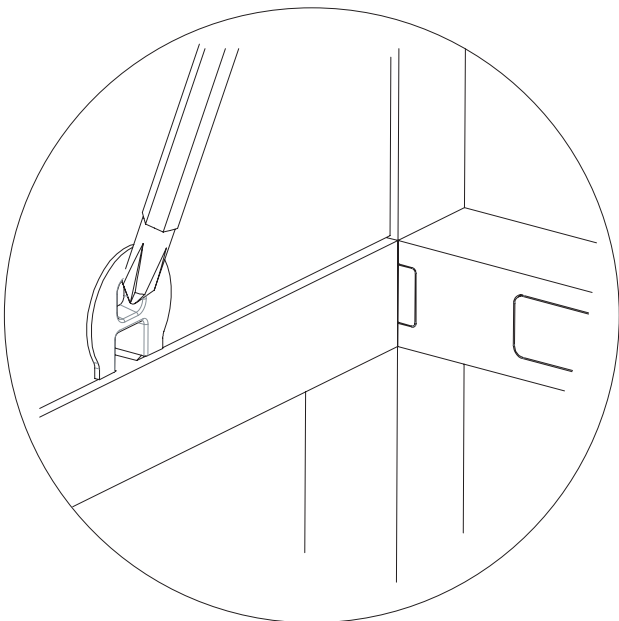
1.1

- Screw in the M6 Rafx pins
- Four M6 Rafx pins per division



1.2

- Place the division panel into the frame so it locates over the rafx pins
- Tighten up the cam with a quarter turn.



shelved[®]



Use the QR code to access the website directly from your mobile device.